

REED



Model SD-230

pH Meter and Datalogger

Instruction Manual

AC TOOL
SUPPLY.COM
877-207-1244

aikencolon.com



Table of Contents

Features.....	3
Specifications.....	4-5
Instrument Description.....	6
Operating Instructions.....	6-11
<i>Function Defaults</i>	6
<i>pH Measurement (Manual Temp. Compensation)</i>	6
<i>pH measurement (ATC)</i>	6
<i>mV Measurement</i>	7
<i>Calibration</i>	7
<i>Required Equipment for Calibration</i>	7
<i>Calibration Procedure</i>	7-8
<i>Data Hold</i>	8
<i>Data Record (Max., Min. reading)</i>	8
<i>Backlight ON/OFF</i>	9
<i>Datalogger</i>	9
<i>Auto Datalogger</i>	9-10
<i>Manual Datalogger</i>	10
<i>Checking the Time</i>	10
<i>Check Sampling Time Information</i>	10
<i>SD Card Data Structure</i>	11
<i>Data Transfer from SD card to Computer</i>	11
Advanced Settings.....	12-14
<i>SD memory card Format</i>	12
<i>Set Clock Time</i>	12-13
<i>Set sampling time</i>	13
<i>Auto power OFF management</i>	13
<i>Set Beeper Sound ON/OFF</i>	13
<i>Setting the Decimal point on the SD Card</i>	14
<i>Select the Temperature unit to °C or °F</i>	14
<i>Set pH Manual Temperature Compensation value</i>	14
<i>ESC</i>	14
PC Serial Interface.....	15
System Reset.....	16
Battery Replacement.....	16

Features

- Meter can select between ATC or manual temperature adjustment
- Three Point Calibration
- Accepts any pH Electrode with a BNC connector
- Real time SD memory card datalogger with a built-in clock and calendar
- Sampling time set from 1 second to 3600 seconds
- Meter can switch to a Manual Datalogging
- No extra software needed, just plug the SD card into the computer and it downloads directly to EXCEL
- SD card capacity: 1 GB to 16 GB
- Easy to read LCD with backlight
- Auto power off or manual power off
- Data hold, record max. and min. reading
- High accuracy microcomputer circuit
- Power by UM3/AA (1.5 V) x 6 batteries
- USB/RS232 Computer interface

Specifications

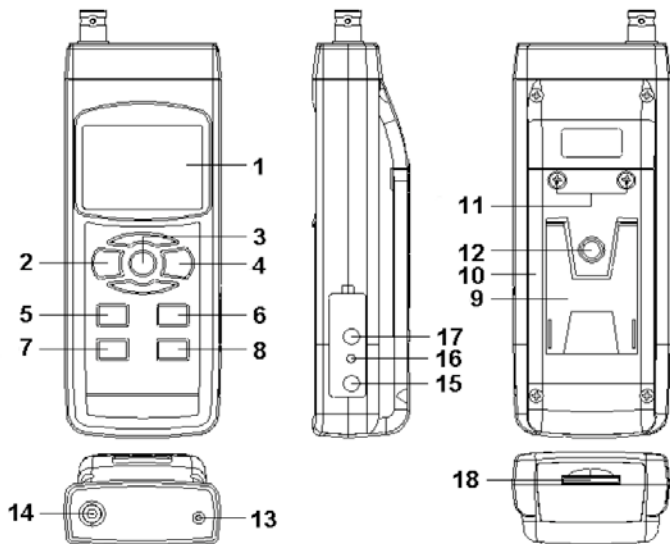
Circuit:	Custom microprocessor LSI circuit
Display:	52mm x 38mm LCD with backlight
Units:	pH or ORP (mV)
pH Electrode:	Any pH electrode with BNC connector (optional)
Input Impedance:	10 ¹² ohm
Temp. Compensation:	Manual (1-100°C), ATC (0-65°C)
pH Range:	0-14pH
pH Resolution:	0.01pH
pH Accuracy:	±(0.02pH + 2d)
mV Range:	0-1999mV

continued ...

mV Resolution:	1mV
mV Accuracy:	±(0.5% + 2d)
Auto Sampling Time:	1, 2, 5, 10, 30, 60, 120, 300, 600, 1800, 3600 seconds
Memory Card:	SD memory card, 1 GB to 16 GB
Sampling Time:	Approx. 1 second
Data Output:	USB/RS232 PC computer interface
Operating Temperature:	0-50°C (0-122°F)
Operating Humidity:	Less than 85% R.H.
Power Supply:	UM3/AA (1.5 V) x 6 batteries
Weight:	489g/1.08lb
Dimensions:	177 x 68 x 45mm (7.0 x 2.7 x 1.9")
Optional accessories:	2G SD Card (SD-2GB) pH Electrode (PE-01, PE-03, PE-11) pH 7 buffer solution (PH-07) pH 4 buffer solution (PH-04) ORP Electrode (ORP-14) Soft carrying case(CA-05A) USB cable (USB-01) RS232 cable (UPCB-01) Data Acquisition Software (SW-U801-WIN)

Visit us at www.reedinstruments.com for more information on our optional accessories, or e-mail us at info@reedinstruments.com

www.actoolsupply.com
Instrument Description



- | | |
|---|--|
| 1. Display | 10. Battery Compartment/Cover |
| 2. Power & Backlight Button | 11. Battery Cover Screws |
| 3. Hold & ESC Button | 12. Tripod Fix Nut |
| 4. REC & Enter Button | 13. Temperature Socket |
| 5. Up Button | 14. pH/BNC Socket |
| 6. Down & Function Button | 15. AC/DC 9V Power Adapter
Input Socket |
| 7. Time Button | 16. Reset Button |
| 8. Logger, Set, & Sampling Time
Check Button | 17. USB/RS232 Output |
| 9. Stand | 18. SD card slot |

www.actoolsupply.com

Operating Instructions

Function Defaults

The meter's defaults are following:

Display unit: pH

Temperature unit: °C

Manual ATC (without a connected ATC probe)

Auto power off is ON

Datalogger Sampling Time: 2 seconds

Be sure to calibrate a pH Electrode for its first use with this meter. Please see the Calibration section of this manual for instructions.

pH Measurement (Manual Temp. Compensation)

- 1) Turn on the meter by pressing the Power Button.
- 2) Connect the Optional pH Electrode into the pH/BNC Socket.
- 3) Set the pH Manual Temperature Compensation value. Refer to the Advanced Settings section for instructions.
- 4) Hold the Electrode Handle and let the Sensing head get fully immersed the measured solution. Shake the pH Electrode to let the probe's internal air bubble drift out from the sensing head. The top display will show the pH value and the bottom display will show the setting for the Manual Temperature Compensation value.

pH measurement (ATC)

- 1) Plug in the optional Temperature Probe into the Temperature Socket. Plug in the optional pH Electrode into the pH/BNC Socket.
- 2) Immerse both the Temperature Probe and the pH Electrode into the measured solution. Shake the pH Electrode to let the probe's internal air bubble drift out from the sensing head. The top display will show the pH value and the bottom display will show the measured Temperature.

mV Measurement

This meter has a built in mV (millivolt) measurement function, which enables you to make ion-selective, ORP (oxidation-reduction potential), and other precise mV measurements.

- 1) Press the Function Button so the unit switches from “pH” to “mV”. To return to pH measurements, press the Function Button again.
- 2) Connect the optional ORP Electrode Plug into the pH/BNC Socket.
- 3) The Display will show the mV value.

Calibration

This meter has been manufactured for use with an pH Electrode that generates 0mV at pH7.00 (177.4mV at pH4). If your pH Electrode does not meet those specifications, calibration procedures are necessary. Calibration also ensures accurate measurements.

Required Equipment for Calibration

- 1) Optional pH Electrode
- 2) Optional pH Buffer Solutions

Calibration Procedure

- 1) Connect the Optional pH Electrode into the pH/BNC Socket.
- 2) Turn the meter on by pressing the Power Button.
- 3) Adjust the Temperature Compensation Value to make it same as the temperature value of the pH buffer solution. Refer to the Advanced Settings section of this manual for instructions. For Automatic Temperature Compensation, plug in the optional ATC probe.
- 4) Hold the Electrode Handle and let the Sensing head get fully immersed the measured solution. Shake the pH Electrode to let the probe's internal air bubble drift out from the sensing head. The top display will show the pH value. If using the ATC probe, both probes into the solution together.

continued ...

- 5) Press and hold the REC Button and the HOLD Buttons until the screen displays “PH” on the main screen, and “CAL” on the lower part of the screen.
- 6) Press the Up and Down Buttons to select either “4.00” for pH 4.00 Calibration, “7.00” for pH 7.00 Calibration, “10.00” for pH 10.00 Calibration, or “CLR” to clear the existing calibration data. Select the screen that matches your pH Buffer Solution. Press the Enter Button to make your selection.
- 7) Two calibration points should be completed for the highest accuracy. Calibration procedures should start from pH7 calibration then with either pH4 or pH10 calibration. Rinse the electrode with distilled water between each calibration. The Calibration should be completed at least twice, for the highest accuracy.

Data Hold

While taking a measurement, press the Hold Button once and the measured value will hold on the screen, and a HOLD symbol will appear. Press the Hold Button once again will release the data hold function.

Data Record (Max., Min. reading)

The data record function records the maximum and minimum readings. Press the REC Button once to start the Data Record function and a “REC” symbol will appear on the display. With the “REC” symbol on the display:

- 1) Press the REC Button once, and a ”REC. MAX.” symbol along with the maximum value will appear on the display. To delete the maximum value, press the Hold Button once and the display will show a “REC.” symbol only and execute the memory function continuously.
- 2) Press the REC Button again, and a “REC. MIN.” symbol along with the minimum value will appear on the display. To delete the minimum value, press the Hold Button once, and the display will show a “REC.” symbol only and execute the memory function continuously.
- 3) To exit the memory record function, press the REC button for 2 seconds. The display will revert to the current reading.

Backlight ON/OFF

After powering the meter ON, the LCD Backlight will turn on automatically. While taking measurements, press the Backlight Button and the LCD Backlight will turn off. Press the Backlight Button once again to turn the LCD Backlight back ON.

Datalogger

Preparation Before Executing the Datalogger Function:

- 1) Insert the optional SD card into the SD card socket.
- 2) Before you use an SD card with this meter for the first time, it is recommend to format the SD card. See Advanced Settings section of this manual for instructions.
- 3) If this is the first time the meter is used you need to adjust the clock. See Advanced Settings section of this manual for instructions.
- 4) Now you need to set the decimal format. The numerical data structure downloaded to the SD card is defaulted used the “ . ” as the decimal, for example “20.6” “1000.53” . But in certain countries the “ , ” is used as the decimal point, for example “ 20, 6 ” “1000,53” . See Advanced Settings section of this manual for instructions on how to change the Decimal Character.

Auto Datalogger (Set sampling time ≥ 1 second)

- 1) Start Datalogging; press the REC Button, and the “REC” symbol will appear on the LCD screen, then press the Logger Button, the “REC” symbol will flash while the measuring data and time information is being saved in memory. To set the sampling time, and to toggle the beeper sound on or off, refer to the Advanced Settings section of this manual.
- 2) Pause the Datalogging; while Datalogging, if press the Logger Button once. While paused, the “REC” symbol will stop flashing. Press the Logger Button again to resume Datalogging, and the “REC” symbol will begin to flash again.

continued ...

- 3) Stop Datalogging; while the Datalogger function is paused, press the REC Button for 2 seconds. The “REC” symbol will disappear indicating the Datalogging function has stopped.

Manual Datalogger (Set sampling time = 0 seconds)

- 1) Set sampling time is to 0 second; Press the REC Button, and the “REC” symbol will appear on the LCD screen. Press the Logger Button, and the “REC” symbol will flash once and one Beep will sound, at the same time the measuring data along the time information will be saved in memory. The lower Display will show the Position (record) number, which is saved as well.
- 2) To Change the Position Number; press the Down Button and the lower position number will flash on the display. Press the Up or Down Buttons to set the Position Number (1 to 99) to help identify the measurement location. The lower Display will show P x (x = 1 to 99). After the position number is selected, press the Enter Button to confirm.
- 3) Stop Datalogging; press the REC Button for 2 seconds, and the “REC” symbol will disappear indicating the Datalogging function has stopped.

Checking the Time

During normal functions (not Datalogging), press the Time Check Button and the lower LCD display will show the Year, Month/Date, Hour/Minute.

Check Sampling Time Information

During normal functions (not Datalogging), press the Sampling Button and the lower LCD display will show the Sampling Time Information.

SD Card Data Structure

- 1) The first time the SD card is used in the meter, the SD card will generate a folder: PHA01
- 2) The first time you use the Datalogger, in the folder PHA01, a new file name PHA01001.XLS will be created. The Datalogger will use this file until the Data has reached to 30,000 rows. The meter will then will generate a new file with a subsequent number, for example PHA01002.XLS.
- 3) The folder PHA01 can hold 99 .XLS files. When that number has been reached, the meter will then will generate a new folder with a subsequent number, for example PHA02. Max number of PHA--folders is 10.

Data Transfer from SD card to Computer (EXCEL Software)

- 1) After Datalogging, remove the SD card from the SD card slot.
- 2) Plug in the SD card into the Computer's SD card slot or insert the SD card into the optional SD card adapter and connect to your Computer. Turn your computer on and a folder will appear on your desktop representing you SD card.
- 3) Open "Microsoft EXCEL". Download the EXCEL files from the SD Card to the computer by opening up the SD folder and selecting the desired EXCEL files, and drag-and-drop them onto your Computer. Open the files with EXCEL (File – Open).
- 4) The EXCEL file will have the following column headers in this order: Place (Position Number), Date (Year/Month/Day), Time (in 24h clock), Value, and Unit.

www.actoolsupply.com

Advanced Settings

During normal functions (not Datalogging), press and hold the SET Button for 2 seconds to enter the “Advanced Setting” mode. Press the Next Button scroll through eight main functions, shown on the lower display:

Sd F	SD memory card Format
dAtE	Set clock time (Year/Month/Date, Hour/Minute/Second)
SP-t	Set sampling time (Hour/Minute/Second)
PoFF	Auto power OFF management
bEEP	Set beeper sound ON/OFF
dEC	Set SD card Decimal character
t-CF	Select the temperature unit to °C or °F
t-Set	Set pH Manual Temperature Compensation value
ESC	Exit Advanced Settings

While in the “Advanced Setting” function, press the Esc Button to exit and to return to normal functioning.

SD memory card Format

Please Note: Formatting the SD card erases all data from that SD card.

- 1) When the lower display shows “Sd F”, use the Up or Down Buttons to select “yES” (format the SD card) or “no” (do not format the SD card).
- 2) To format your SD card, select “yES” and press the Enter Button. The Display will show “yES Enter”, to confirm. Press the Enter Button to confirm.

Set Clock Time

- 1) When the lower display shows “dAtE”, press the Enter Button. Use the Up and Down Buttons to adjust the Year. After the desired value is set, press the Enter Button to adjust the Month, Date, Hour, Minute, and Second values.

continued ...

- 2) After all the time values have been set the screen will jump to “SD card Decimal character” setting screen. To exit “Advanced Settings”, press the Esc Button.

Note: After the time value is set, the internal clock will run even when the power is off, if the battery is under normal conditions.

Set sampling time

- 1) When the lower display shows “SP-t”, use the Up or Down Buttons to adjust the value to either 0, 1, 2, 5, 10, 30,60, 120, 300, 600, 1800, or 3600 seconds.
- 2) After the Sampling value is selected, press the press the Enter Button to save the setting as the default. To exit “Advanced Settings”, press the Esc Button.

Auto power OFF management

- 1) When the lower display shows “PoFF”, use the Up or Down Buttons to select the value “yES” (Enable Auto Power Off) or “no” (Disable Auto Power Off).
- 2) After selecting “yES” or “no”, press the Enter Button to save the setting as the default. To exit “Advanced Settings”, press the Esc Button.

Set Beeper Sound ON/OFF

- 1) When the lower display shows “bEEP”, use the Up or Down Buttons to select “yES” (Beeper Sound is ON) or “no” (Beeper Sound is OFF).
- 2) After selecting “yES” or “no”, press the Enter Button to save the setting as the default. To exit “Advanced Settings”, press the Esc Button.

Setting the Decimal point on the SD Card

- 1) When the lower display shows “dEC”, use the Up or Down Buttons to toggle between “bASIC” (“.” Decimal Point) or “Euro” (“,” Decimal Point).
- 2) After the Decimal point character has been selected, press the Enter Button to save the setting as the default. To exit “Advanced Settings”, press the Esc Button.

Select the Temperature unit to °C or °F

- 1) When the lower display shows “t-CF”, use the Up or Down Buttons to select “C” (for °C) or “F” (for °F).
- 2) After selecting “C” or “F”, press the Enter Button to save the setting as the default. To exit “Advanced Settings”, press the Esc Button.

Set pH Manual Temperature Compensation value

- 1) When the lower display shows “t-SEt”, use the Up or Down Buttons to select the upper value to the desired Temperature Compensation value. The default value is 25°C (77°F).
- 2) Press the Enter Button to save the setting as the default. To exit “Advanced Settings”, press the Esc Button.

ESC

- 1) When the lower display shows “ESC”, press the Enter Button to finish the Advanced Settings procedures and return to the normal measuring screen.

www.actoolsupply.com

PC Serial Interface

The instrument features an PC output via 3.5 mm terminal. The connector output is a 16 digit data stream which can be utilized to the user's specific application. An USB RS232 lead with the following connection will be required to link the instrument with the PC serial input.

Meter (3.5mm Jack Plug)	PC (9W "D" Connector)
Center Pin	Pin 2
Ground/Shield	Pin 5

The 16 digit data stream will be displayed in the following format:
D15 D14 D13 D12 D11 D10 D9 D8 D7 D6 D5 D4 D3 D2 D1 D0

D0	End Word
D1 to D4	Upper Display reading, D1= LSD, D4= MSB
D5 to D8	D5=? D6=? D7=? D8=?
D9	Decimal Point (DP) for display 0 = No DP, 1 = 1 DP, 2 = 2 DP, 3 = 3 DP
D10	D10 = 0
D11	D11 = 0
D12	D12 = 0
D13	D13 = 0
D14	D14 = 0
D15	Start Word

www.actoolsupply.com

System Reset

If an error occurs, press the Reset Button with a Pin. If the Reset Button does not fix the error, please send in the unit to our Calibration Lab for repair. E-mail info@reedinstruments.com for more information.

Battery Replacement

- 1) When the left corner of LCD display shows ~~⊗~~, it is necessary to replace the battery
- 2) Loosen the screws of the Battery Cover and remove
- 3) Remove the batteries and replace with Six DC 1.5 V batteries (UM3, AA, Alkaline/heavy duty)
- 4) Make sure the battery cover is properly secured after changing the battery

For service on this or any other REED product or information on other REED products, contact REED Instruments at info@reedinstruments.com

