

[MSA Safety 10023969 Lynx Hoist Confined Space Entry Davit Kit](#)

[MSA Safety 10125297 Lynx Hoist Confined Space Entry Kit](#)

[MSA Safety 10016567 Lynx Hoist 50 Ft Side Mount](#)

[MSA Safety 10016568 Lynx Hoist 105 Ft Side Mount](#)

# Lynx Hoist™

## Personnel/Materials Hoist

### User Instructions

#### WARNING

***National standards and state, provincial and federal laws require the user to be trained before using this product. Use this manual as part of a user safety training program that is appropriate for the user's occupation. These instructions must be provided to users before use of the product and retained for ready reference by the user. The user must read, understand (or have explained), and heed all instructions, labels, markings and warnings supplied with this product and with those products intended for use in association with it. FAILURE TO DO SO MAY RESULT IN SERIOUS INJURY OR DEATH.***

## 1.0 LYNX HOIST DESCRIPTION

The Rose Lynx Hoist is suitable for lifting, lowering and positioning either personnel or materials. It is designed for use in conjunction with Rose anchorage connectors, fall arresters and other components to make up complete systems for manriding, work positioning, materials handling, emergency rescue and evacuation. Rose components are available to provide backup fall arrest for all such systems.

There are three standard Lynx Hoist types. They differ only in the configuration of their integral mounting brackets. Two standard line lengths are available in either galvanized or stainless steel wire rope. Other line lengths can be special ordered. All hoist models are equipped with an emergency drive and air drive adapter. All standard Lynx Hoists can be retrofitted with these upgrades. The principle Hoist specifications are present in Appendix A. A list of Lynx Hoist types and models is provided in Appendix B. Accessories and companion products, including the Hoist air drive, are listed in Appendix C. All models meet current regulations for personnel related mechanical devices.

The three standard Lynx Hoist types are:

- Figure 4: Side-mount hoist for installation on the Lynx Tripod.
- Figure 5: Boom-mount hoist with an extension frame and anchorage hook for installation on the Lynx Tripod and a variety of other suitable anchorage connectors
- Figure 6: Socket-mount hoist for use with the Rose vehicle mounted davit

These three mounting arrangements may be interfaced with other anchorage connectors approved by Rose. Additionally, custom anchorage connectors and mounting brackets may be obtained from Rose as part of engineered systems for specific applications.

All Lynx Hoists embody several standard features:

- Rated working load 310 lbs (140 kg) for personnel and 620 lbs (280 kg) for materials & emergency rescue
- An open drum wound with 3/16 in (5 mm) 7 x 19 galvanized or stainless steel wire rope, in lengths of 50 ft (16 m) or 105 ft (32 m)
- Reserve line on the drum to prevent overloading the point of line termination on the drum
- Built in shock absorber
- Clutched drive to prevent hoist overload, and reduce the possibility of injury to a person if snagged on a structural member during lifting
- Triple-braking system
- Steel housing and mounting bracket
- Self-locking swivel snaphook
- Manual crank handle with anti-backlash brake
- Level Wind Mechanism for a tangle free cable drum

FIGURE 1

LYNX HOIST PERSONNEL/MATERIALS HOIST (VIEW FROM HANDLE SIDE)

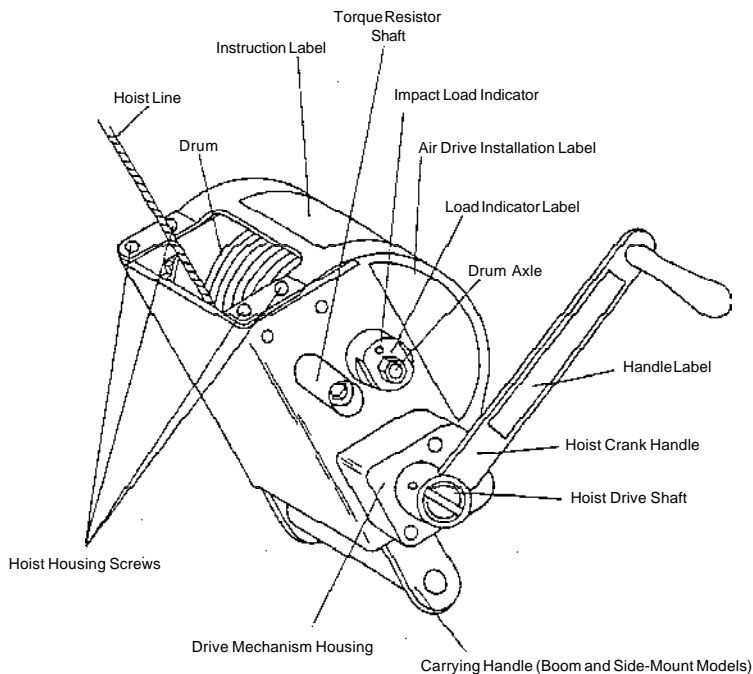
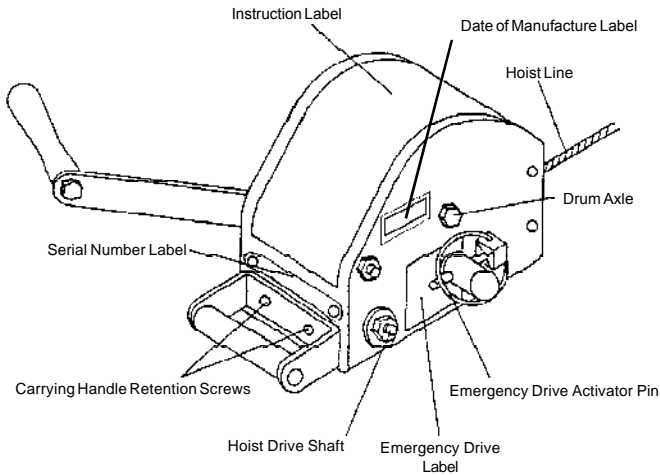


FIGURE 2  
LYNX HOIST PERONNEL/MATERIALS HOIST (REVERSE VIEW)



**CAUTION**

***The user should prevent the buildup of slack line that would allow free fall.***

Internal mechanisms of the hoist are protected by a formed steel housing. All parts are zinc chromate plated to resist corrosion. The load end of the line is terminated with a self-locking swivel snaphook which requires two separate and distinct manipulations to unlock and open the snap gate. When released, the snap gate will automatically close and lock. See Figure 3.

The hoist has a level wind mechanism which help the guide line to lay and wrap tightly around the drum.

**CAUTION**

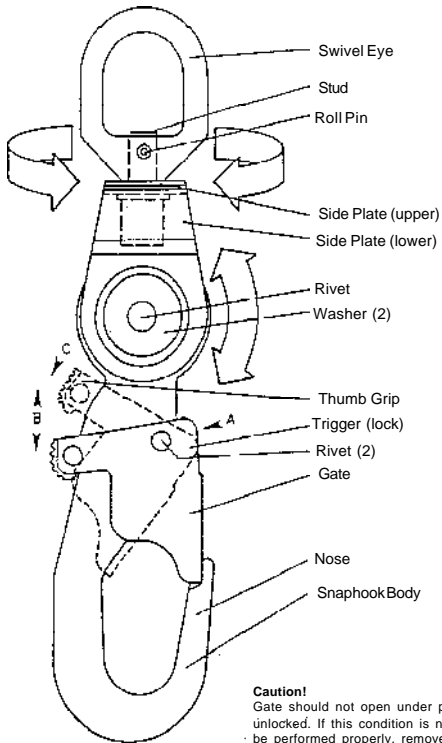
***To prevent loose coils of line on the drum, always maintain at least 15 lbs (6.75 kg) of tension on the line when paying it out.***

The hoist is normally operated with the standard manual crank handle shown in Figure 1. To extract line or lower a load, rotate the handle in a counterclockwise direction. To retract line or raise a load, rotate the handle in a clockwise direction. To suspend a load, release the handle. A brake in the drive mechanism inhibits the drum from free wheeling. The brake operates even when the crank handle is removed for attachment of the optional air drive.

### Air Drive Option

An optional air drive system – P/N 506420 – is available for use in applications requiring long line runs or rapid retrieval of a load. The air drive system consists of an air-driven motor with a filter-lubricator that cleans, lubricates and regulates the pressure of plant air or compressed air supplied to the motor.

FIGURE 3  
RL20 SWIVEL SNAPHOOK



## EMERGENCY DRIVE

All hoists are equipped with an optional emergency drive. See Figure 2. Activation of the emergency drive bypasses the load-limiting clutch and permits emergency lifting in excess of the maximum rated working load.

### CAUTION

***The emergency drive must be used only in case of an emergency where loads in excess of the rated working load must be raised or lowered. Immediately after emergency drive use, the hoist must be removed from service and returned to the manufacturer for inspection and service. Before use, the hoist must be inspected for presence of the emergency drive activation pin. Remove the hoist from use if this pin is missing.***

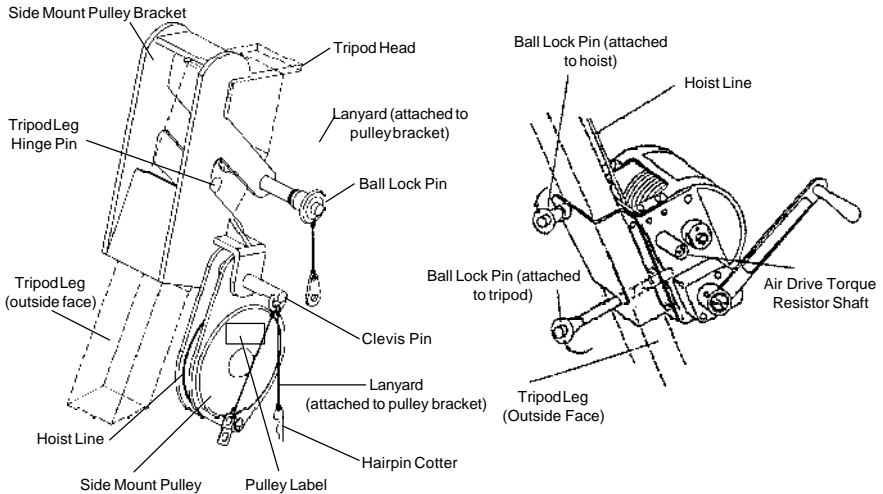
## 1.1 DESCRIPTION OF SIDE-MOUNT HOIST

The Side-Mount hoist is designed for use with the Lynx Tripod – P/N 10022050, P/N 10022051. See Figure 4. It may also be used with other anchorage connectors approved by Rose. The Side-Mount hoist serves as the primary lifting-lowering device for systems which use the tripod to position equipment for confined space entry above the area to be accessed. The hoist mounts to the side of the tripod leg. This position permits operation of the hoist by a surface attendant positioned away from the confined space access point, maximizes the usable space to the interior of the tripod and increases stability by lowering the tripod's center of gravity.

When installed on the Lynx Tripod, a pulley mounting bracket and Side-Mount pulley – P/N 506473 – are required for rigging the Side-Mount hoist line at the tripod head. This permits full use of the interior headroom of the tripod.

Note: When using the hoist for lifting-lowering of personnel, an independent fall arrest system is required. The Rose Lynx Rescuer retractable lifeline or Rose Dyna-Lock™ is recommended. See section 1.4.2. Other fall arrest systems are also available from Rose.

FIGURE 4  
SIDE-MOUNT LYNX HOIST



## 1.2 DESCRIPTION OF BOOM-MOUNT HOIST

The Boom-Mount hoist consists of the basic hoist with an integral 42 in (107 cm) extension frame. See Figure 5. The Boom-Mount hoist is compatible with the Lynx Tripod, and can also be used in numerous applications with a variety of anchorage connectors.

The extension frame enable operation of the hoist by a user positioned away from the area to be accessed. Connection of the hoist to a suitable anchorage connector over the work area is enabled by a connector yoke/anchorage hook assembly integrally mounted at the end of the extension frame. Both the connector yoke and anchorage hook will swivel, permitting the user to position the anchorage hook for speedy connection to the previously installed anchorage connector.

### 1.3 DESCRIPTION OF SOCKET-MOUNT HOIST

The Socket-Mount hoist is manufactured for use with the Rose Davitruck System (P/N 506356) which is a vehicle-mounted system. The vehicle-mounted davit provides an anchorage connection means in a variety of situations where anchorage connectors cannot be mounted directly above the work area. The davit may be rotated through 360 degrees, permitting attachment of equipment for fall protection and materials handling at a stable work surface, and subsequent positioning of personnel and/or materials over the work area. See Figure 6.

FIGURE 5  
BOOM-MOUNT LYNX HOIST

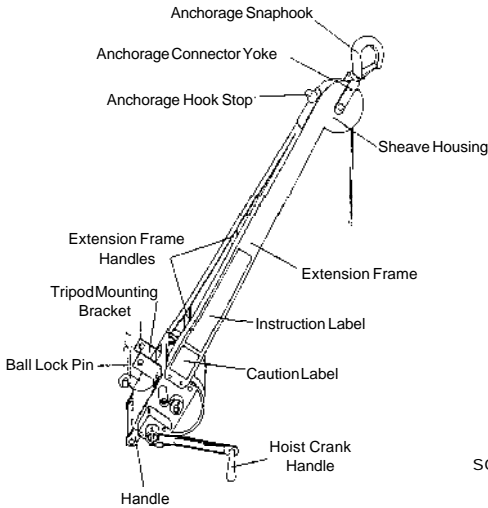
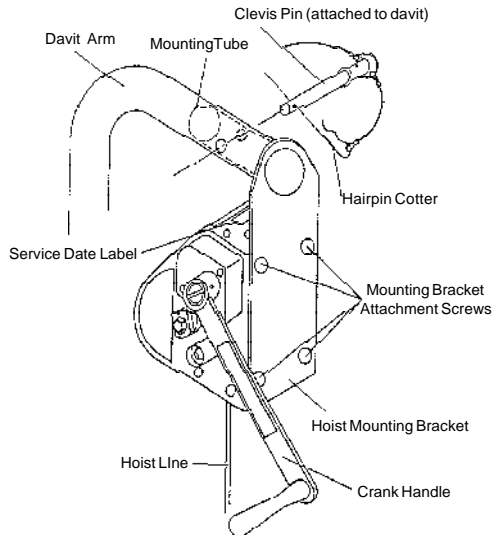


FIGURE 6  
SOCKET-MOUNT LYNX HOIST



## 1.4 ACCESSORIES AND COMPANION PRODUCTS

A list of Lynx Hoist accessories and companion products is provided in Appendix C.

### CAUTION

***Under no circumstances should products of other manufacturers be used in conjunction with Rose products or systems without the prior written consent of Rose Manufacturing Company. Use of incompatible products by other manufacturers may result in serious personal injury or death, and damage to equipment.***

## 2.0 INSTALLATION

### 2.1 INSTALLING THE BOOM-MOUNT HOIST TO OTHER ANCHORAGES

The anchorage used to suspend the hoist for personnel or materials hoisting must be strong enough to support the load with an adequate safety factor. The required safety factors are 10:1 for personnel, 5:1 for materials. For personnel hoisting, the anchorage must have a strength of at least 5,000 lbs (22 kN). A backup fall arrest system must be utilized.

### CAUTION

***Select the anchorage and anchorage connector with which the hoist will be used under the guidance of a qualified person. If any question arises as the suitability of the anchorage connector for the intended application, discontinue installation of the hoist and contact the manufacturer.***

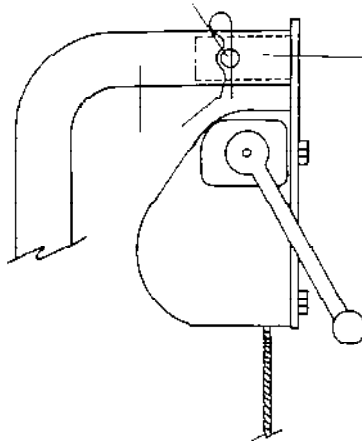
### CAUTION

***Install the installation snaphook so that unwanted movement of the snap and attached hoist is prevented. Otherwise, movement of a load may cause sudden movement of the snaphook and result in loss of balance by the operator.***

### 2.2 INSTALLING THE SOCKET-MOUNT HOIST

The socket-mount hoist is designed for installation of Rose vehicle-mounted davits. Socket-mount hoists are supplied with a mounting tube which interfaces with the boom arm of the davit. To install the hoist, follow the steps below in sequence and refer to Figure 16.

FIGURE 16  
INSTALLATION OF SOCKET-MOUNT HOIST 2.5.1



- Step 1:** Slide the hoist-mounting tube (A) into end of davit arm (B). If installing the hoist on a DaviTruck vehicle-mounted davit, first erect the DaviTruck in accordance with the instructions and labels accompanying that product.
- Step 2:** Align the holes in the davit arm with the holes in the hoist-mounting tube.
- Step 3:** Insert the davit boom arm clevis pin (C) through the holes in the davit arm and mounting tube.
- Step 4:** Secure the clevis pin with the hairpin cotter (D).

### 3.0 OPERATING INSTRUCTIONS

#### CAUTION

***Inspect the hoist according to the instructions in Section 4.0 of this manual before and after each use. Also inspect each component with which the hoist will be used according to the instructions accompanying that product. If any component is found to be damaged, altered or defective, immediately remove the system from use. Do not attempt field repair of equipment, and do not attempt use of the system without first replacing any damaged, altered or defective component.***

#### 3.1 RESCUE PLAN

Always have a rescue plan when using the hoist for lifting or lowering personnel. A fall arrest system should always be used when lifting or lowering personnel, in case disconnection of the hoist line is necessary or in case failure of the hoist or hoist anchorage means occurs. A backup lifeline such as the Lynx Rescuer, which has an integral rescue winch that raises and lowers, is recommended to provide immediate rescue capability.



 CAUTION

***Read this User Instruction completely and inspect the device before and after each use. Read and heed all labels on the device. Failure to observe instructions may result in serious or fatal injury. Keep this User Instruction in a safe place, readily accessible to all who may need to use the hoist. Require anyone intending to use the hoist to read this User Instruction carefully and completely before using it. Periodically read all labels and this User Instruction to reinforce knowledge.***

## 3.3 OPERATION OF THE HOIST

 CAUTIONS

- ***Never leave a load hanging from the hoist while the hoist is unattended.***
- ***Always be sure the line is pulling straight out from the hoist drum – never at an angle.***
- ***Never exceed the maximum rated loads listed on the hoist specification label.***
- ***Never alter the mechanics of the hoist except to retrofit the air drive adapter kit in accordance with these instructions.***
- ***Never use two or more hoists to raise or lower a heavier load. Load shifting may place the entire load on one hoist, causing sequential failure of both units.***
- ***Always apply loads evenly. Do not jerk or bounce loads as this dynamic loading may generate forces in excess of the maximum working load.***
- ***Each time a load is lifted, first test the hoist by lifting the load a few inches.***
- ***Always keep hands away from pinch points around load-bearing lines, pulleys and drums during operation.***
- ***Always ensure level winding when extracting or retracting line by guiding the line. Use a gloved hand when guiding the line to avoid cuts and wire slivers. Continually inspect for level winding during operation.***
- ***It is critical that the hoist operator remain a safe distance away from any fall hazard or load which could cause injury in the event of a loss of balance on the part of the operator, or in the event of a load fall. When operating the hoist in a fall hazard area, the operator must wear appropriate fall protection equipment connected to an independent anchorage.***
- ***All labels must be visible and the operator should never come between the hoist housing and line. The hoist operator must always operate the hoist with the housing and crank between him or herself and the load.***
- ***Never install the hoist where any member of the work crew must be stationed in line with a tensioned hoist line. Should the line fail, stored energy may cause recoil of the line with sufficient force to cause serious or fatal injury.***

The hoist is a lifting/lowering/positioning hoist only. It is not to be used as a fall arrest device. Personnel using the hoist for lifting/lowering/positioning must have a backup fall arrest system, such as a Lynx Rescuer or Dyna-Lock Retractable Lifeline, plus a full body harness. When using the hoist for personnel, never have more than one person on the hoist at the same time. *Never* carry personnel *and* materials at the same time.

### 3.3.1 LOWERING A LOAD

To lower a load with personnel suspended, rotate the crank handle counter clockwise.

To extract line from the hoist when there is no suspended load, rotate the handle counter clockwise while pulling on the line with **at least 15 pounds of force**. Unless the line is thus loaded, the drive will not rotate the drum. This is an anti-backwinding feature that prevents loosening of the cable lays on the drum. To resume lifting, make three (3) clockwise revolutions of the crank handle.

### 3.3.2 SUSPENDING A LOAD

To suspend a load, slowly release the crank handle. If the handle is not cranked in a clockwise direction before suspending the load, slight rotation (up to 1/2 revolution) of the drum may occur as internal friction disks are tightened. This will result in up to 9 in (23 cm) additional line being extracted from the drum.

### 3.3.3 RAISING A LOAD

To raise a load, rotate the crank handle clockwise. A clicking sound will be heard as line is reeled in. When reeling in line, check to be sure the line wraps evenly and tightly around the drum.

#### CAUTION

***In the event of a fall, lift before lowering to disengage the secondary brake pawls. Lift first at least one half turn of the drum before attempting to lower. Unless the secondary brake pawls are disengaged after a fall, the hoist will not pay out line.***

## 3.4 USING THE AIR DRIVE

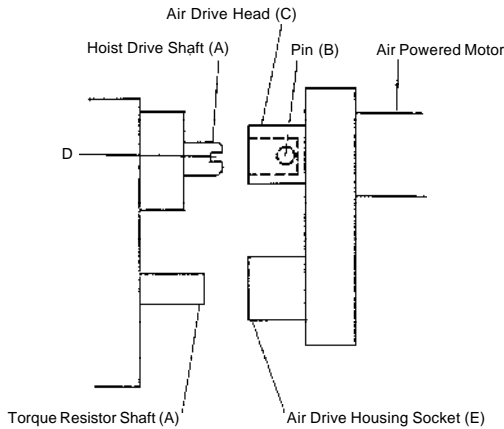
#### CAUTION

***When using the air drive, always keep the hoist crank handle close at hand in case the air supply is interrupted and a load must be raised or lowered manually.***

Before using air drive, verify that the torque resistor shaft has been installed. See Figure 1.

To install and use the air drive, follow the following steps and refer to Figure 17.

FIGURE 17  
INSTALLATION OF AIR DRIVE ON HOIST



- Step 1:** Pull the handle (not shown in Figure 17) off the drive shaft (A).
- Step 2:** Align the pin (B) in the air drive head with the notch in the drive shaft (C), and the air drive housing socket (E) with the previously installed torque resistor shaft (F).
- Step 3:** Push air drive fully onto the hoist shafts and rotate the air drive head by hand so that the pin (B) engages the notch in the hoist drive shaft.
- Step 4:** To lift a load rotate the directional control knob on the air drive in a counter-clockwise direction and depress the throttle lever. To lower the load, rotate the directional control knob in a clockwise direction and depress the throttle lever.
- Step 5:** To remove the air drive, grip the body of the motor, apply slight rotation to the air drive head and pull directly away from the hoist.

## 4.0 INSPECTION

All Rose products are inspected and tested under controlled conditions at the factory before shipment. User inspection, maintenance and storage of the equipment takes on added importance once the device is subjected to potentially severe environmental and work place conditions.

Before each use the user should carefully inspect the device by following the inspection instructions on the specification and instruction labels. Inspect the functioning of the device according to the instructions in this section and examine the unit for excessive wear, damage, alteration or missing parts.

A recommended inspection form is included at the back of this manual.

Note: Inspection items marked with an asterisk (\*) need not be performed daily, but must be performed at regular intervals and before and after lengthy periods of storage. The frequency of periodic inspection depends on the severity of environmental conditions and frequency of use of the unit, but must be performed *at least* every six months.

Periodic inspection must be performed by a competent person and must include all inspection items listed in this section. The results of this inspection must be documented using the inspection forms at the end of this User Instruction. The appropriate month and year on the inspection grid on the product must also be permanently marked using a steel stamp, taking care to not damage the hoist housing.

## 4.1 INSPECTING HOIST FUNCTIONS & OPTIONAL FEATURES



***When a test load is needed to allow inspection of any hoist function, do not use personnel as a load. Make sure the area below hoist is free and clear of any obstructions. Always inspect the hoist functions prior to each use.***

### 4.1.1 LINE PAYOUT AND RETRIEVAL

Mount the hoist to a suitable anchorage connector (such as the Lynx Tripod or davit anchorage connector) to allow operation of the crank. Maintaining tension on the hoist line, rotate the crank counterclockwise to pay the line out. Then rotate the crank clockwise to check for proper line retrieval. A clicking sound indicates that line retrieval is functioning correctly. Remove the product from use and return it to Rose if no clicking sound is heard. During line extraction and retraction, check that the winding guide wraps the line tightly around the drum.

### 4.1.2 HANDLE P/N 521204

Check for cracks, bends, broken welds and corrosion on the handle. Remove the product from use if any of these conditions are found and contact Rose Manufacturing for a replacement handle. Check that the O-ring set in the slot on the inside of the handle is present and not worn. If it's missing or worn, contact Rose Manufacturing for a replacement O-ring, P/N 621982.

### 4.1.3 EMERGENCY DRIVE

Check the emergency drive pin (shown in Figure 2) to make sure it is present. Remove the product from use and return the unit to Rose Manufacturing for service if the emergency drive pin is missing.

### 4.1.4 AIR DRIVE TORQUE RESISTOR SHAFT

Check for cracks and bends in the torque resistor shaft. Check that the set screw is present and tight.

## 4.2 INSPECTING INSTALLATION BRACKET & HOUSING

### 4.2.1

Check for presence of all labels shown in Figures 1, 2, 6 and Appendix D of this User Instruction. See that all labels are clear – not damaged – and legible. Check that the inspection grid date is within the previous six months. If six months have passed since the previous inspection, remove the product from use for inspection by a competent person, according to the instructions in section 4.0 of this User Instruction.

### 4.2.2

Using fingers, check all bolts and nuts on the housing to ensure their tightness. If loose, tighten them. Check to see if any bolts, nuts or other parts are missing or have been improperly substituted or altered in any way.

### 4.2.3

Look carefully for signs of cracks, dents, deformation or ruptures in the metal housing and installation bracket (see Figures 3, 4 and 5). Minor dents which do not affect function do not require user action.

#### 4.2.4

Check the housing for signs of corrosion. Pay particular attention to the area around the installation hook and all bolts and nuts.

#### 4.2.5

Check for signs that the housing and drum are rubbing. This will be evidenced by wear on the drum flanges and worn plating on the housing.

#### 4.2.6

Check the impact load indicator pin on the drum axle nut (the nut with wrench flats shown in Figure 1). The impact load indicator is a roll pin which will be forced part way out of the nut if the hoist sees an impact load that activates the internal shock absorbing mechanisms.

#### 4.2.7

If the user's model is a boom-mount hoist, check the extension frame and anchorage hook for cracks, or bends which may impair strength or function, broken welds and corrosion. Check that the sheave mounted at the boom end is undamaged and rotates freely.

### 4.3 INSPECTING THE SNAPHOOK

#### 4.3.1

Check all parts of the swivel snaphook for signs of alteration, distortion, cracks, deep nicks, dents or cuts. Also check for indications that the snap has been subjected to intense heat which could affect its strength.

#### 4.3.2

Unlock (A) and depress the snaphook gate (B) to its full open position and release (C). See Figure 3 for depiction of steps A, B and C.

#### 4.3.3

Inspect for signs of corrosion or excess wear and remove the product from use if there is any question whether detected wear and/or corrosion may affect strength or function.

#### 4.3.4

Check to see that the snap body swivels freely around the bolt connecting it to the snap eye.

### 4.4 LINE FITTINGS

#### 4.4.1

Check the two pressed metal ferrules and the metal thimble. If the user's unit has a splice as the means of attaching the snaphook, the splice must be completely and tightly tucked with no loops or loose ends.

## 5.0 MAINTENANCE, STORAGE & SERVICE

Proper functioning and length of useful life of the hoist depends on the user's proper care, maintenance and storage of the product. The hoist should be formally inspected at least every 6 months and the results logged in this User Instruction.

The hoist winding mechanism is virtually maintenance free. All bearings are lubricated for life. The hoist contains no user serviceable parts.

Note: Do not lubricate any part of the hoist except the wire rope and the snaphook.

The line should be wound out fully and checked for any sign of wear or damage as outlined in Section 4.0. Do not break the stainless steel band which retains safety wraps on the drum.

## 5.1 CARE AND MAINTANCE

Inspect the product in accordance with the User Instruction. Prevent denting or deformation of the housing. Never drop the unit from any height. Always set it down carefully. When in use, protect the line from contacting sharp corners and edges. Prevent loops from forming in a slack line and being pulled tight, causing line kinking. Do not allow foreign matter to enter the housing. Do not permit the line to snag or be crushed. Heed all caution labels and instructions as these are intended to prevent damage to the product as well as guide the user in correctly operating the device. periodically use a clean, damp (not wet) cloth to remove dirt or contamination which may cause corrosion or hamper legibility of labels. Never use solvents to clean the housing as they may break down the label adhesive.

If necessary, use a clean dry cloth to wipe the line dry as it is slowly re-reeled back into the device. If necessary, lubricate the line after this operation.

Lubrication must only be applied to a clean, dry wire line because it is effective only when the dressing comes in contact with metal. If inspection reveals buildup of contaminants, use a densley bristled fiber brush (not wire) to remove the contaminants. Never use gasoline or kerosene as a solvent. Pay particular attention to cleaning the gaps between the line strands so lubricant can penetrate into the line core and fill these gaps to seal out moisture and foreign particles.

Use a low viscosity field lubricant having moisture resistant, non-corrosive properties such as EWRS No. 66X, available from Ironside Company, Columbus, Ohio. It may be applied by brush or swabbing with a cloth saturated with the lubricant. Wipe off excess lubrication with a clean dry cloth.

It is impossible to specify the time intervals between lubrications. However, the line should be properly lubricated at all times, and periodic inspections will indicate when it must be done. In corrosive environments, the line should be cleaned and lubricated more frequently. If the hoist is taken out of service for an appreciable length of time, the line should be cleaned and lubricated before storage.

## 5.2 STORAGE

Store the device in a clean, dry place indoors, out of direct sunlight. If lengthy storage is required, periodically inspect the device. Store the device away from heat and steam, and never allow it to rest for lengthy periods of time on concrete or ash floors, as the lime sulfur and ash can cause corrosion.

## 5.3 OWNER REGISTRATION

When the hoist is purchased, the owner must immediately read this User Instruction and return the Owner Registration card included with the device. Each unit has a unique serial number identifying all information associated with the unit. The serial number enables Rose employees to identify when the unit was manufactured, the related engineering, testing records, quality assurance records, related service records, and the date the unit was sold and shipped to the user or Rose distributor.

The Owner Registration card contains information which is vital to the maintenance of the device. It must be completely and accurately filled out by the owner and returned to Rose Manufacturing Company immediately after purchase.

Be sure to enter the owner's permanent address and telephone number. Do not enter the address and phone number of a temporary job site or temporary office. Please type or print legibly in ink. This is a permanent record.

## 5.4 OBTAINING FACTORY SERVICE

When factory service is required for the hoist, the steps below must be carefully followed:

1. Prepare and mail a purchase order for the requested service to Rose Manufacturing Company, 2250 S. Tejon Street, Englewood, CO 80110
2. The purchase order must contain:
  - a. Owner's name, address, phone and fax numbers
  - b. The name of owner's employee who can be contacted to authorize repair charges if necessary
  - c. The hoist's serial number, it's type and last inspection date.
  - d. Brief explanation of service and known repairs to be performed (for example, annual service, kinked line, broken snaphook, etc.).
  - e. The statement: "Basic service charge authorized. Advise price of repairs." Please note that any unit sent to Rose Manufacturing for service must, at a minimum, be disassembled, inspected and reassembled by Rose in order to determine if any service is required. Therefore, the minimum service charge must always be made.
  - f. The billing address if the owner already has an account with Rose. Otherwise, Rose terms are C.O.D. in the continental USA, and cash in advance, including freight charges elsewhere.
  - g. The return shipment address. Rose freight terms are prepaid and added if the owner has an account. Otherwise, the terms are freight collect.

## 5.5 SERVICE AND INSPECTION LOGS

Rose recommends that the hoist be formally inspected at least every 6 months, and immediately before it is used to carry personnel. It is the responsibility of the user and the user's management to perform timely formal inspections, and to log such inspections in this section.

### 5.5.1 INSPECTION LOG

Proceed down the column using the inspection categories and steps shown on the left as a checklist in conjunction with the inspection procedures in section 4.0 of this User Instruction. If the unit passes the inspection step, enter "OK" in the adjacent space of the column for this particular inspection. If at any point in the inspection procedure the unit fails to pass an inspection step, take the action specified in the appropriate subsection of section 4.0 and make a notation in the Inspection Log.

## LYNX HOIST INSPECTION LOG

Serial Number \_\_\_\_\_ Rose Part Number \_\_\_\_\_

Date of Manufacture \_\_\_\_\_

	Date of Inspection							
	Inspector							
<b>Housing/Bracket/Boom*</b>	Bolts/Nuts/Screws							
	Labels							
	Damage							
	Corrosion							
	Impact Load Indicator							
	Anchorage Hook*							
<b>Functions</b>	Handle							
	Braking							
	Emergency Drive Pin							
	Torque Resistor Shaft							
<b>Snaphook</b>	Locking Action							
	Corrosion							
	Swivel							
	Damage/Wear							
	Line Ferrules/Splices							
	Thimble							

\*Boom-mount hoist models only





## APPENDIX A

## LYNX HOIST SPECIFICATIONS

SPECIFICATION	MOUNTING BRACKET			UNIT OF MEASURE
Safety Factor (Personnel)	10:1			–
Safety Factor (Materials)	5:1			–
Max. Working Load (Personnel)	310			lb
	140			kg
Max. Working Load (Materials)	620			lb
	280			kg
Minimum Line Strength	3,300			lb
	14.7			kN
Line Diameter	3/16			in
	5			mm
Swivel Snaphook Gate Opening	13/16			in
	20			mm
Crank Force to Lift 310 lbs/140 kg	13			lb
	58			N
Cranking Diameter	20			in
	51			cm
Avg. Lifting Speed (310 lbs/140 kg load)	25			ft/min
	7.6			m/min
	<b>SIDE</b>	<b>BOOM</b>	<b>SOCKET</b>	
Net Weight with 105 ft of line	47	62	51	lb
	21	28	23	kg
Boom Frame Length	N/A	42	N/A	in
	N/A	107	N/A	cm
Boom Hook Gate Opening	N/A	7/8	N/A	in
	N/A	22	N/A	mm

## APPENDIX B

## LYNX HOIST TYPES AND MODELS

Mount Type	Model (1)	Wire Rope		Part Number
	Length	Galv.	S.S.	
Side	105 ft		X	10016566
Side	50 ft		X	10016567
Side	105 ft	X		10016568
Side	50 ft	X		10016569
Boom	105 ft		X	10016680
Boom	50 ft		X	10016681
Boom	105 ft	X		10016682
Boom	50 ft	X		10016683
Socket	105 ft		X	10016684
Socket	50 ft		X	10016693
Socket	105 ft	X		10016694
Socket	50 ft	X		10016695

## APPENDIX C

## LYNX HOIST ACCESSORIES &amp; COMPANION PRODUCTS

Side	Lynx Hoist		Accessory/ Companion P/N	Accessory/Companion Description
	Socket	Boom		
X	X	X	501500	Fallbloc System
		X	505282	Anchorage Connector Strap, nylon, 5 ft
		X	505298	Anchorage Connector Strap, polyester, 5 ft
X	X	X	506202	Dyna-Lock (10 m), galvanized steel
X	X	X	506203	Dyna-Lock (10 m), stainless steel
X	X	X	506204	Dyna-Lock (16 m), galvanized steel
X	X	X	506205	Dyna-Lock (16 m), stainless steel
X	X	X	506206	Dyna-Lock (22 m), galvanized steel
X	X	X	506207	Dyna-Lock (22 m), stainless steel
X	X	X	506208	Dyna-Lock (30 m), galvanized steel
X	X	X	506209	Dyna-Lock (30 m), stainless steel
X		X	10022050	Lynx Tripod (8 ft)
X		X	10022051	Lynx Tripod (10 ft)
X		X	506216	Dynevac II, Dyna-Lock 22/30 bracket for Tripod
X	X	X	506222	Split-mount pulley
X		X	506232	Dynevac II 10/16 bracket for Tripod
		X	506252	BeamGlide trolley
X	X	X	506615	Dyna-Lock, 20' web unit
X	X	X	506619	Dyna-Lock Backpacker, 20' web unit
X	X	X	506261	Dynevac II and Dyna-Lock 22/30 flat surface bracket
	X		506356	DaviTruck vehicle-mounted davit
	X		506362	Dynevac II and Dyna-Lock 22/30 davit brackets
X	X	X	506420	Air-powered drive assembly
X			521245	Side-mount pulley bracket
X			622002	Side-mount pulley
X	X	X	various	Pullover harness (see brochure)
X	X	X	501012	Bosun's chair with spreader bar
X	X	X	501015	Bosun's chair without spreader bar
X	X	X	503215	Portable ladder, rope with wood rungs
X	X	X	503216	Portable ladder, strap with aluminum rungs
X	X	X	505199	Retrieval lanyard w/RL20 snaphooks, thimble center
X	X	X	507130	Retrieval lanyard w/RL20 snaphooks, 14" spreader bar
X	X	X	507131	Retrieval lanyard w/RL20 snaphooks, 22" spreader bar
X	X	X	10011744	Lynx Rescuer 16M
X	X	X	10011745	Lynx Rescuer 30M



**MSA ROSE**

**HOIST™**

SIDE MOUNT  
PERSONNEL MATERIALS  
HOIST

MODEL NUMBER	LINE TYPE	LINE LENGTH
10016567	Steel wire Steel	SOFT
10016569	Galvanized	SOFT
10016568	Steel wire Steel	105 FT
10016668	Galvanized	105 FT

**⚠️ ADVERTENCIA**

Se contienen imperativamente las instrucciones del fabricante que se producen en el momento de la explotación. Lleve el producto fuera de servicio si el fabricante de carga así lo exige.

**⚠️ AVERTISSEMENT**

Signalez les instructions impératives du fabricant que se produisent au cours de l'utilisation. Retirez du service le produit si le fabricant de charge ainsi le requiert.

**SPECIFICATIONS**

Personnel Load 510 lbs (231 kg)

Emergency Load (Personnel) 120 lbs (54 kg)

Maximum Material Load 620 lbs (282 kg)

Safety Factor Personnel 10:1

Safety Factor Maximum Emergency Strength 5:1

Average Lifting Speed 25 ft/min (7.6 m/min)

**CAUTION**

Install only on Rose Tripods, PIN 1000200, 1002001, Rose Folding Daisies, PIN 300813, or other anchorage not specifically approved by Rose Manufacturing Company.

**INSTALLATION**

1. Mount tripod according to legend instructions. Erect only on a height where tripod load capacity is not exceeded. 2. Mount and lay out cables. PIN 200477 (A) or top of stand leg. (B) to top of leg with upper label. 3. Pay pulley installed in place over both hook pin (C). 4. Pass hole in right side of outside frame. 5. Mount middle (D) in hole through bracket with pin (E) and push rest over top. 6. Mount 9' of hoist line (F) and secure over pulley (E). 7. Pay pulley (G) in place with cable pin (H). Hoist suspension must hang in back of block. 8. Insert handle roller (I) through hole pin (J). 9. Thread rope to desired height. 10. Insert leg pin (K) RIGHT HOIST through leg (L) from left side of outside frame. 11. Mount middle (D) in hole through bracket with pin (E) and push rest over top. 12. Push pin (M) completely through leg and rest handle. 13. Mount pin (N) through frame. (O) at top of fixed bracket behind stand leg.



**CAUTION**

Hoist operator must wear appropriate fall protection equipment when operating hoist in fall hazard areas. When lifting heavy or personnel, use independent fall protection devices attached to person being lifted/lowered.

**TOTAL LOAD ON TRACTOR CABLE, ROPE, HANDLE CABLES, TO LIFT LOAD OR RETRACT CABLE, MUST HANDLE COUNTER/CABLE.**

**CAUTION**

**READ & HEED ALL LABELS & SEPARATE INSTRUCTIONS, PIN 10016732. FAILURE TO DO SO MAY RESULT IN SERIOUS INJURY OR DEATH. ALL USERS MUST RECEIVE TRAINING FROM A COMPETENT PERSON PRIOR TO ATTEMPTING INSTALLATION OR USE OF THIS PRODUCT.**

A responsible user will read the instructions and all safety notices and instructions in Spanish. Always take the correct ladder safety advice. Use the correct fall and use the correct safety gear. Do not use the hoist to transport or hoist any item that is not specifically listed or intended to be used. Do not use the hoist to lift any item that is not specifically listed or intended to be used. Do not use the hoist to lift any item that is not specifically listed or intended to be used. Do not use the hoist to lift any item that is not specifically listed or intended to be used.

**INSPECTION GRID:** Periodic inspection by a competent person required at least every 6 months. Inspect according to User Manual (PIN 10016732) and determine work inspection grid following frequencies.

YEAR	FALL	SPR	SUM	FALL	SPR	FALL	SPR
MONTH	JAN	FEB	MAR	APR	MAY	JUN	JUL
	JUL	AUG	SEP	OCT	NOV	DEC	

US Patents: 5160768, 5281793, 5302567, 5301967

ROSE MANUFACTURING COMPANY • 2250 S. TEJON ST.  
ENGLEWOOD • COLORADO • 80115  
PHONE: (303) 922-4242 • FAX: (303) 922-1292

Made in USA      PIN 10016732 REV. A

## SIDE MOUNT HOIST INSTRUCTION LABEL



**MSA ROSE**

**HOIST™**

BOOM MOUNT  
PERSONNEL, MATERIALS  
HOIST

MODEL NUMBER	LINE TYPE	LINE LENGTH
10016667	Steel wire Steel	81 FT
10016668	Galvanized	81 FT
10016669	Steel wire Steel	105 FT
10016670	Galvanized	105 FT

**⚠️ ADVERTENCIA**

Se contienen imperativamente las instrucciones del fabricante que se producen en el momento de la explotación. Lleve el producto fuera de servicio si el fabricante de carga así lo exige.

**⚠️ AVERTISSEMENT**

Signalez les instructions impératives du fabricant que se produisent au cours de l'utilisation. Retirez du service le produit si le fabricant de charge ainsi le requiert.

**SPECIFICATIONS**

Personnel Load 510 lbs (231 kg)

Maximum Material Load 620 lbs (282 kg)

Safety Factor Personnel 10:1

Safety Factor Maximum Emergency Strength 5:1

Average Lifting Speed 25 ft/min (7.6 m/min)

**CAUTION**

Install only on Rose Tripods, PIN 1000200, 1002001, Rose Folding Daisies, PIN 300813, or other anchorage not specifically approved by Rose Manufacturing Company.

**INSTALLATION**

1. Mount tripod according to legend instructions. Erect only on a height where tripod load capacity is not exceeded. 2. Mount and lay out cables. PIN 200477 (A) or top of stand leg. (B) to top of leg with upper label. 3. Pay pulley installed in place over both hook pin (C). 4. Pass hole in right side of outside frame. 5. Mount middle (D) in hole through bracket with pin (E) and push rest over top. 6. Mount 9' of hoist line (F) and secure over pulley (E). 7. Pay pulley (G) in place with cable pin (H). Hoist suspension must hang in back of block. 8. Insert handle roller (I) through hole pin (J). 9. Thread rope to desired height. 10. Insert leg pin (K) RIGHT HOIST through leg (L) from left side of outside frame. 11. Mount middle (D) in hole through bracket with pin (E) and push rest over top. 12. Push pin (M) completely through leg and rest handle. 13. Mount pin (N) through frame. (O) at top of fixed bracket behind stand leg.



**CAUTION**

Hoist operator must wear appropriate fall protection equipment when operating hoist in fall hazard areas. When lifting heavy or personnel, use independent fall protection devices attached to person being lifted/lowered.

**TOTAL LOAD ON TRACTOR CABLE, ROPE, HANDLE CABLES, TO LIFT LOAD OR RETRACT CABLE, MUST HANDLE COUNTER/CABLE.**

**CAUTION**

**READ & HEED ALL LABELS & SEPARATE INSTRUCTIONS, PIN 10016732. FAILURE TO DO SO MAY RESULT IN SERIOUS INJURY OR DEATH. ALL USERS MUST RECEIVE TRAINING FROM A COMPETENT PERSON PRIOR TO ATTEMPTING INSTALLATION OR USE OF THIS PRODUCT.**

A responsible user will read the instructions and all safety notices and instructions in Spanish. Always take the correct ladder safety advice. Use the correct fall and use the correct safety gear. Do not use the hoist to transport or hoist any item that is not specifically listed or intended to be used. Do not use the hoist to lift any item that is not specifically listed or intended to be used. Do not use the hoist to lift any item that is not specifically listed or intended to be used.

**INSPECTION GRID:** Periodic inspection by a competent person required at least every 6 months. Inspect according to User Manual (PIN 10016732) and determine work inspection grid following frequencies.


YEAR	FALL	SPR	SUM	FALL	SPR	FALL	SPR
MONTH	JAN	FEB	MAR	APR	MAY	JUN	JUL
	JUL	AUG	SEP	OCT	NOV	DEC	

US Patents: 5160768, 5281793, 5302567, 5301967

ROSE MANUFACTURING COMPANY • 2250 S. TEJON ST.  
ENGLEWOOD • COLORADO • 80115  
PHONE: (303) 922-4242 • FAX: (303) 922-1292

Made in USA      PIN 10016732 REV. A

## BOOM MOUNT HOIST INSTRUCTION LABEL



**MSA ROSE**

SOCKET MOUNT  
PERSONNEL/MATERIALS  
HOIST

MODEL NUMBER	LINE TYPE	LINE LENGTH
10019603	Stainless Steel	50 FT
10019605	Galvanized	50 FT
10019604	Stainless Steel	105 FT
10019604	Galvanized	105 FT

**⚠️ ADVERTENCIA**

Se conformar imperativamente aux instrucciones del fabricante antes de cualquier uso del equipo al momento de T cualquier operación. Mantenga el indicador fuera de servicio si el indicador de carga se desplaza.

**⚠️ AVERTISSEMENT**

Lire les instructions del fabricant que se aplican a este producto. Retire del servicio si el indicador de carga advierte que se produce una sobrecarga.

**SPECIFICATIONS**

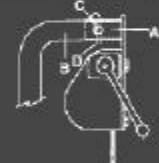
Personnel Load.....	330 lbs (147 kg)
Emergency Load (Personnel).....	550 lbs (252 kg)
Maximum Material Load.....	850 lbs (382 kg)
Safety Factor (Personnel).....	10:1
Safety Factor (Maximum Capacity).....	5:1
Minimum Line Strength.....	3,500 lps (14.7 kN)
Average Lifting Speed.....	23 ft/min   7.6 m/min

**⚠️ CAUTION**

Install only on Rose dual P/N 066456, or other anchorage connector approved by Rose Manufacturing Company.

**INSTALLATION**

- Slide hoist mounting tabs (A) into end duct beam arm (9).
- Align holes in mounting tube with holes in duct beam arm.
- Insert beam arm pin (C) through holes, & secure pin with safety cotter (D).



**⚠️ CAUTION**

Build specific load over appropriate fall protection equipment when operating hoist in fall arrest mode. When lifting/lowering personnel, use independent fall protection lifeline attached to person being lifted/lowered.

**TOTAL LOAD OR RETRACT CABLE, ROTATE HANDLE CLOCKWISE TO LOWER LOAD OR EXTRACT CABLE. ROTATE HANDLE COUNTERCLOCKWISE**

**⚠️ CAUTION**

READ & HEED ALL LABELS & SEPARATE INSTRUCTIONS. FAILURE TO DO SO MAY RESULT IN SERIOUS INJURY OR DEATH. ALL USERS MUST RECEIVE HANDS-ON TRAINING FROM A COMPETENT PERSON PRIOR TO ATTEMPTING INSTALLATION OR USE OF THIS PRODUCT.

Inspect before & after each use & remove from use if any damage, defect, or malfunctions is found. (1) Always wear line under tension during use. (2) Use ground rods to ground. Use proper handling in the end use if line is twisted or loosely secured. (3) Do not leave equipment hoist unattended. (4) Do not operate equipment with loads in view covering end bands away from joints/pulleys against load bearing pulleys. Use & chain.

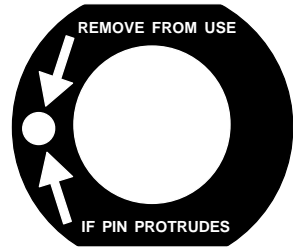
**INSPECTION GRID:** Periodic inspection by competent person required at least every 6 months. Inspect according to User Manual (P/N 10016732) and permanently mark inspection grid following inspection.

YEAR	1st	2nd	3rd	4th	5th	6th
MONTH	JAN	FEB	MAR	APR	MAY	JUN
	JUL	AUG	SEP	OCT	NOV	DEC

US Patents: 5,422,768; 5,170,845; 6,000,807; 5,581,847

ROSE MANUFACTURING COMPANY • 2250 S. TEJON ST.  
ENGLEWOOD • COLORADO • 80110  
Phone: (303) 522-9245 • FAX: (303) 584-9850

MADE IN USA P/N 10016732REV B



EMERGENCY DRIVE LABEL

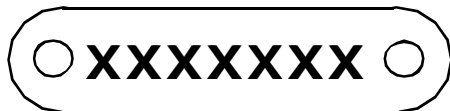
P/N521203 Mfd. \_\_\_\_\_

Capacity: 310 lbs (Personnel)  
620 lbs (Materials)USE ONLY WITH ROSE HOIST™  
Follow instructions on hoistRose Manufacturing Company  
2250 South Tejon Street  
Englewood, CO 80110

P/N 622003, Rev. B.

SIDE MOUNT HOIST PULLEY LABEL

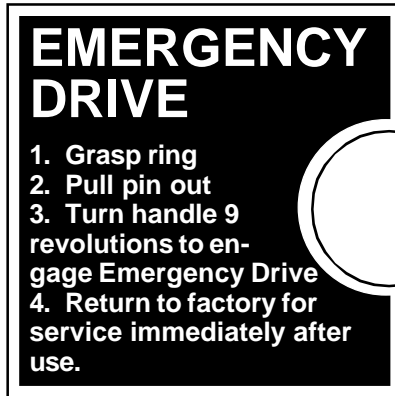
SOCKET MOUNT HOIST INSTRUCTION LABEL



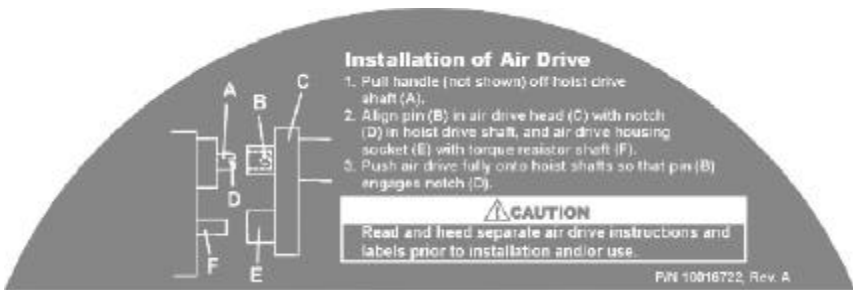
SERIAL NUMBER TAG



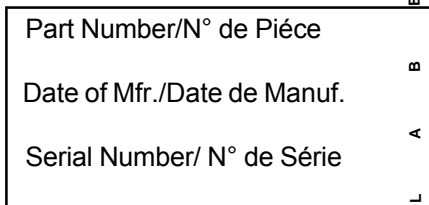
HANDLE LABEL



EMERGENCY DRIVE LABEL



AIR DRIVE ATTACHMENT INSTRUCTION LABEL



LAST FACTORY SERVICE DATE LABEL

**WARRANTY**

Express Warranty – Rose/MSA warrants that the product furnished is free from mechanical defects or faulty workmanship for a period of one (1) year from first use or eighteen (18) months from date of shipment, whichever occurs first, provided it is maintained and used in accordance with Rose/MSA's instructions and/or recommendations. Replacement parts and repairs are warranted for ninety (90) days from the date of repair of the product or sale of the replacement part, whichever occurs first. Rose/MSA shall be released from all obligations under this warranty in the event repairs or modifications are made by persons other than its own authorized service personnel or if the warranty claim results from misuse of the product. No agent, employee or representative of Rose/MSA may bind Rose/MSA to any affirmation, representation or modification of the warranty concerning the goods sold under this contract. Rose/MSA makes no warranty concerning components or accessories not manufactured by Rose/MSA, but will pass on to the Purchaser all warranties of manufacturers of such components. THIS WARRANTY IS IN LIEU OF ALL OTHER WARRANTIES, EXPRESS, IMPLIED OR STATUTORY, AND IS STRICTLY LIMITED TO THE TERMS HEREOF. ROSE/MSA SPECIFICALLY DISCLAIMS ANY WARRANTY OF MERCHANTABILITY OR FITNESS FOR A PARTICULAR PURPOSE.

**U.S. Patent No.: 5150768, 5217084, 5090507, 5361867**