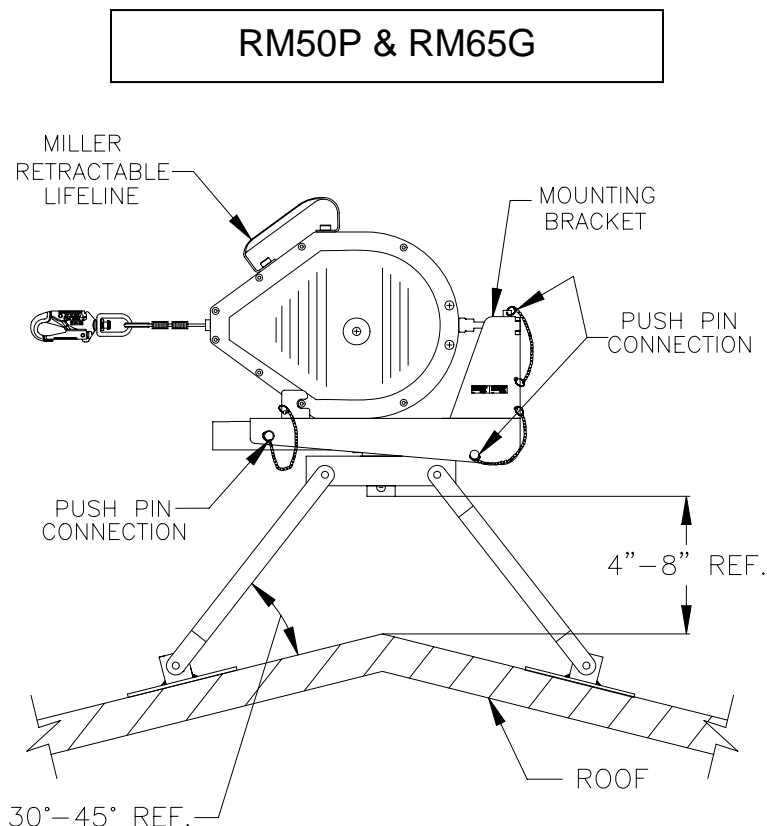




## **ROOFSTRIDER SYSTEM SPECIFICATION SHEET**



SHOWN MOUNTED ON A WOOD STRUCTURE  
WITH A MILLER MIGHTY LITE RETRACTABLE LIFELINE

Capacity:	310 lbs. maximum
Materials/Finish:	Zinc-plated MightyLite mounting bracket
Fasteners:	Painted steel rotator, base and legs
	12 – 16D nails
	1 – 2-inch bolt & lock-nut
Weight:	1 – 5-inch bolt & lock washer
	RM50P – 60 lbs.
	RM65G – 69 lbs.
Standards:	Meets or exceeds applicable OSHA and ANSI standards.

Note: See MightyLite Specification Sheet for details on the MightyLite self-retracting lifeline.

[Miller Honeywell RM50G/50FT RoofStrider System Kit Fall Protection](#)

[Miller Honeywell RM50P/50FT RoofStrider System Kit Fall Protection](#)

[Miller Honeywell SRM30G/30FT RoofStrider II System Kit Fall Protection](#)

[Miller Honeywell SRM50G/50FT RoofStrider II System Kit Fall Protection](#)

[Miller Honeywell SRM50P/50FT RoofStrider II System Kit Fall Protection](#)

[Miller Honeywell SRM65G/65FT RoofStrider II System Kit Fall Protection](#)