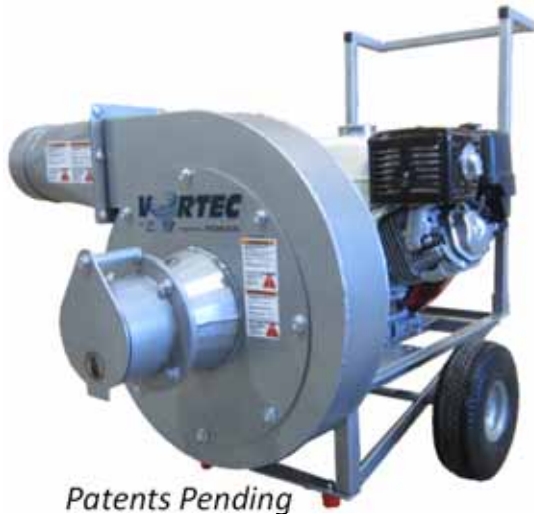


[Intec Vortec 390 Insulation Removal Vacuum](#)
[Intec Vortec 390 Insulation Removal Vacuum Manual Start Engine](#)

Insulation Removal Vacuum

The insulation vacuum designed for the needs of the Professional Contractor!



Patents Pending

Intec's VORTEC family of high-powered vacuums offer high productivity with robust engineering combined to provide the highest value vacuum in today's market. Designed for fast & profitable recycling of spray applied insulation, removal of damaged insulation due to fire, water, and smoke, and HVAC cleaning. Its design & many unique features – combined with Honda's GX390 motor -- provide for a superior return on investment.

Engineered for High Productivity



Honda's GX390 outperforms most all motors used in vacuums today. Variable Timing Digital Ignition, *exclusive to Honda*, provides optimal engine timing based on engine speed – delivering consistent power under load, excellent starting, and smooth operation, in addition to reduced fuel consumption with outstanding emissions performance.



VORTEC 390
impeller

Built-to-Last for High Value Generation

- IMPELLER
 - ✓ independently supported with break-away coupler extends engine life
 - ✓ precision balanced
 - ✓ serrated to pulverize unwanted materials
- WHEELS – run flat
- BAFFLE
 - ✓ extends impeller life
- SHROUD – long lasting
 - ✓ thick gauge
 - ✓ powder coated
 - ✓ easy to change liner adds to the vacuum's longevity
- HANDLE
 - ✓ Reversible & removable

Professional Grade - Heavy Duty Capabilities

Reversible & Removable Handle



Standard Position

Reversed Position

Removed Position

**Want more power,
consider Intec's
VORTEC 690**



Patents Pending

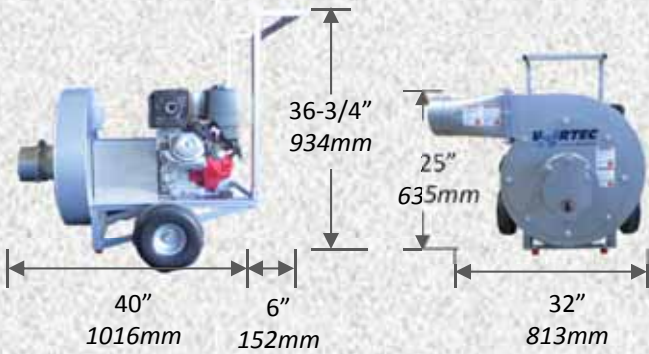
Maximize your
Return On Investment



With Intec blowing machines
& vacuums

Specifications

Picture to change; dimensions directionally accurate



- Body: Powder-coated Steel with 10" run-flat wheels.
- Weight: 245 lbs.
- Inlet: 6" standard; 4" optional. User can change as desired.
- Outlet: 6".
- Motor: Honda GX390 --12 net horsepower with 3 year limited warranty.
- Oil Alert system that shuts motor when oil is low to prevent engine damage.
- Fuel: 1.6 gallon gas tank.
- Large Fan wheel on independent bearing supported shaft with break-away coupler – prolongs engine life & provides for efficient power transfer from engine to impeller.
- Sacrificial shroud liner for extended life.
- 3 year limited warranty.

Accessories



Swivel hose connectors

- ✓ Vacuum Hose
- ✓ Vacuum Pick-up Tube
- ✓ Vacuum Bags

Features

Honda GX390 engine.



Electric start (optional)



Tiny Tach w/
 • Hour meter
 • Rpm



Inlet that quickly converts from 6" to 4" diameter.

Baffle system to prevent large foreign objects from coming into vacuum.

Large impeller with serrated angles pulverizes unwanted foreign materials



Thick-gauge shroud & Wear liner increase vacuum's life

INDUSTRY FIRST

Intec Exclusive Hub Assembly & Break Away Coupler remove torsional stresses from engine and help prevent catastrophic failures.

Intec Blowing Machines



g{x \ Çaxv C Åwzx

Provide the finest equipment in the industry with the highest standards while continuing to strive for 100% satisfaction.