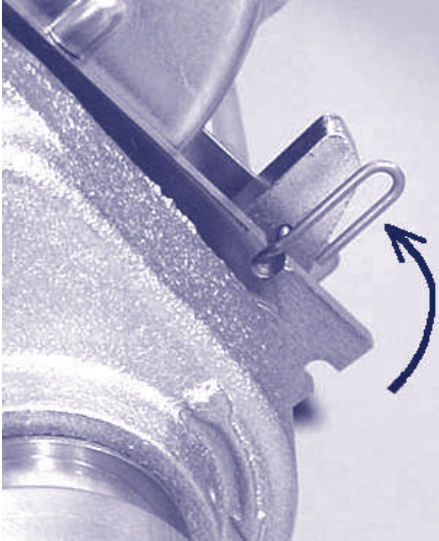


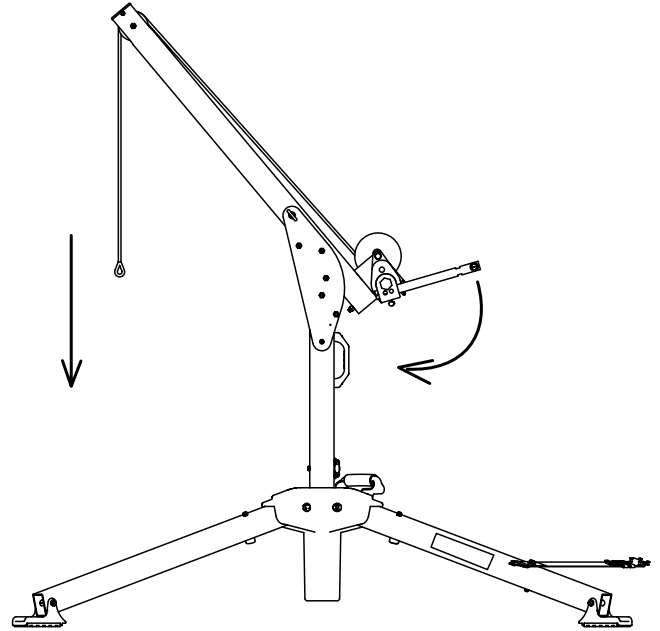


**TO RAISE OR LOWER**

**1. Disengage ratchet**

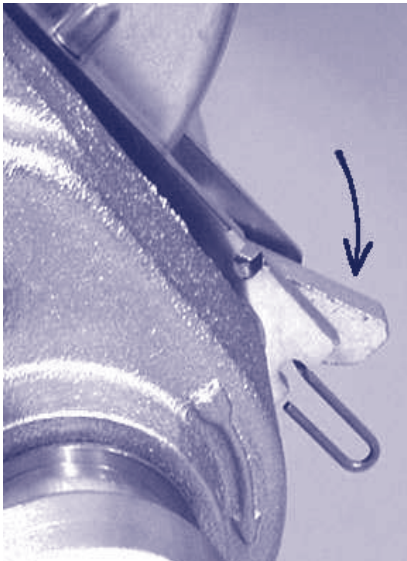


**2. Turn crank handle clockwise to lower and counterclockwise to raise.**



**TO RAISE ONLY, WITH RATCHET SAFETY BACKUP:**

**1. Engage Ratchet**



**2. Turn crank handle counterclockwise to raise.**

