





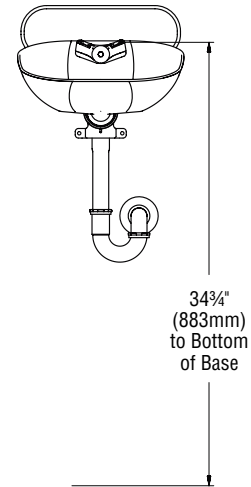
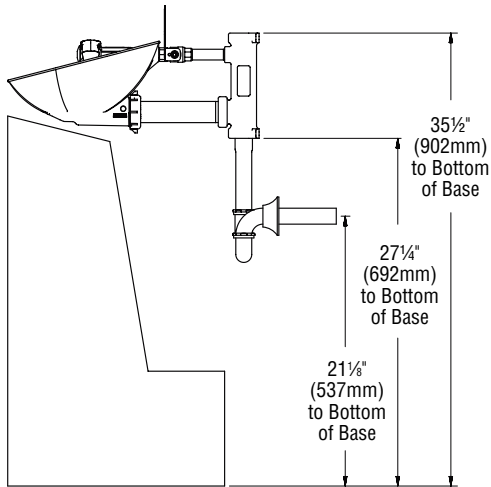




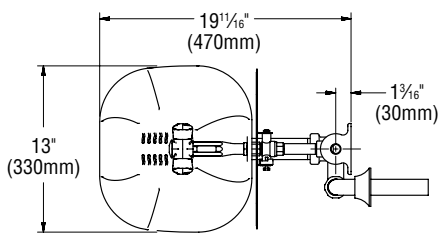
# S19224 Series

## Wall-Mount Halo™ Eyewash or Eye/Face Wash

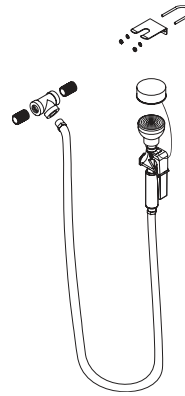
S19224 shown with Eyewash and Plastic Bowl



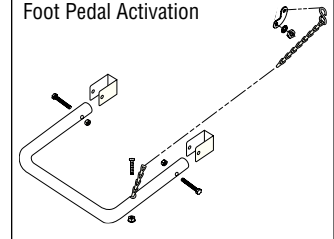
Eyewash Bowl



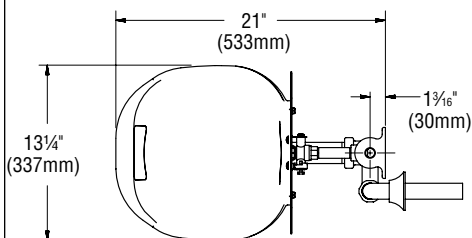
S19-430EH Drench Hose



Foot Pedal Activation



Dust Cover



**All dimensions assume standard thread engagement. Variations in manufacturing allow for +/- 1/8" (3mm) per threaded joint. To find the tolerance of a dimension, add the number of thread joints across the length of the dimension and multiply it by 1/8" (3mm).**