

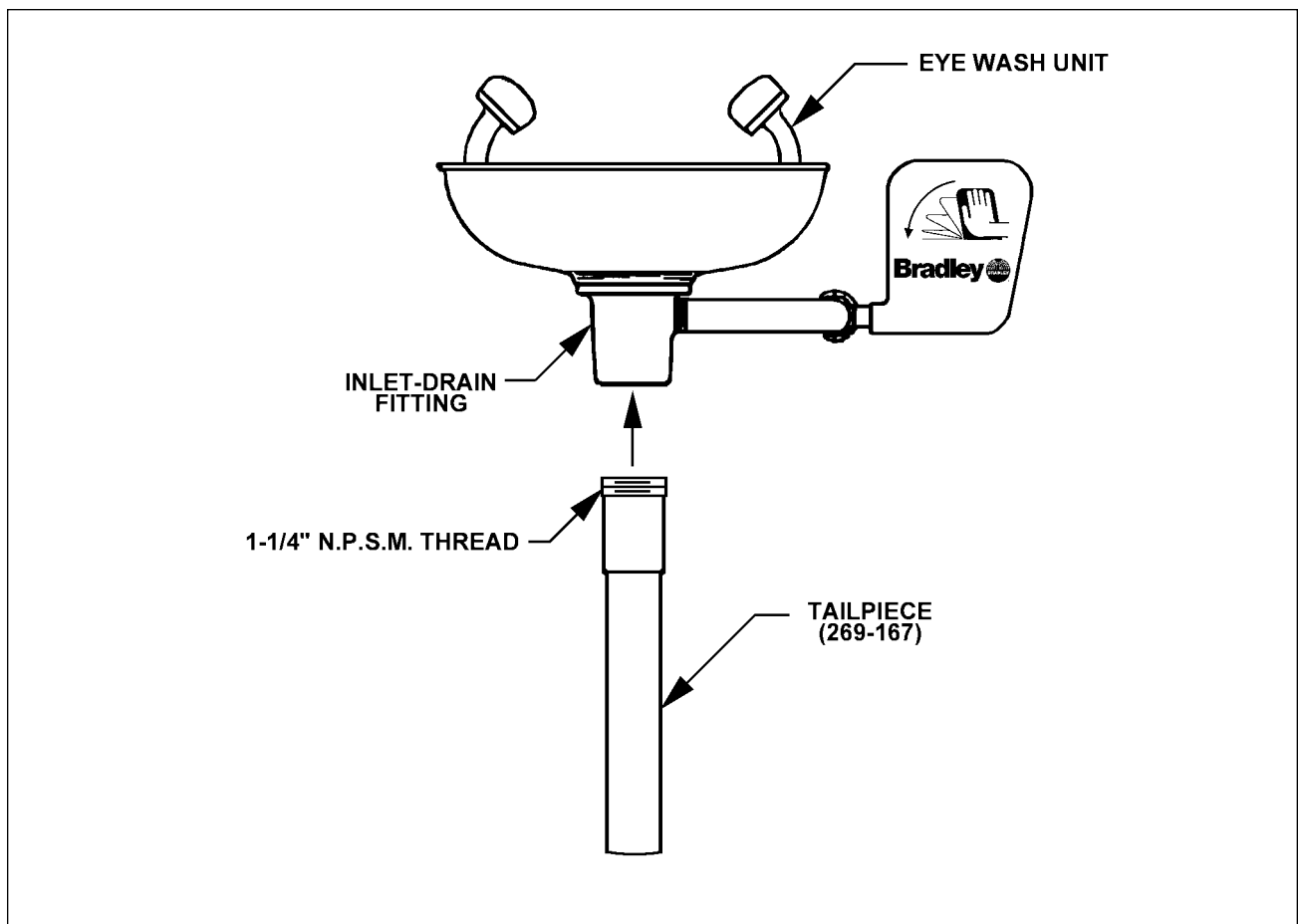
Installation Instructions for Tailpiece

Part No. S19-746

Tailpiece Installation

NOTE: Refer to the illustration shown below.

1. Shut off the water supply to your eye wash unit.
2. Thread the tailpiece into the inlet-drain fitting as shown.
3. Turn on the water supply to your eye wash unit and check for leaks and adequate water flow.



[Bradley S19-220TSS Stainless Steel Eye-Face Wash](#)