

Installation

Step 1: Concrete footing and base

1. Pour a concrete footing for the drench shower adjacent to the excavation for supplies and drains.



IMPORTANT: Make sure the solid nipple is located where shown on page 4.



IMPORTANT: Make sure the pipe tee is aligned toward the excavation.

2. Assemble the base, the 31" long pipe, the coupling, the solid pipe and the pipe tee (refer to page 4).
3. Attach the base to the footing with suitable fasteners (supplied by installer).

Step 2: Valve assembly

1. Lower the valve assembly into the excavation and attach the valve assembly to the base assembly using the close nipples and union as shown on page 4.
 - This will establish the heights of the valves for connection to the supplies and drains.
2. Connect the valves to the supplies and weep valves to drain down waste outlet.
3. Backfill as specified.

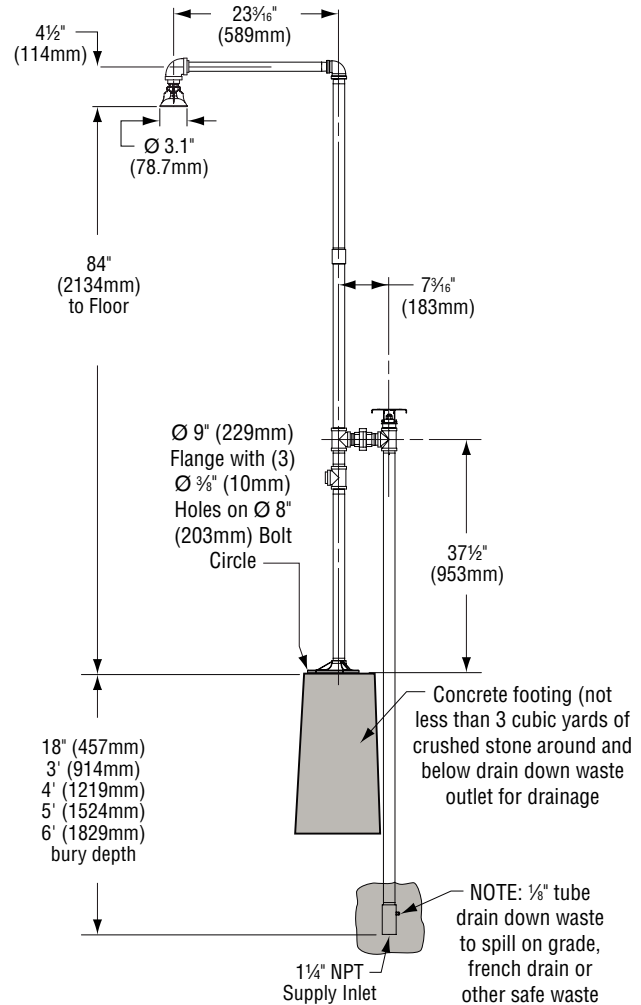
Step 3: Assemble components

1. Assemble the remaining components.
 - Use the rubber grip pad provided or a strap wrench around pipes when tightening to prevent marring. Place the grip pad on the pipe, then put the wrench over the grip pad and turn the pipe with the wrench.



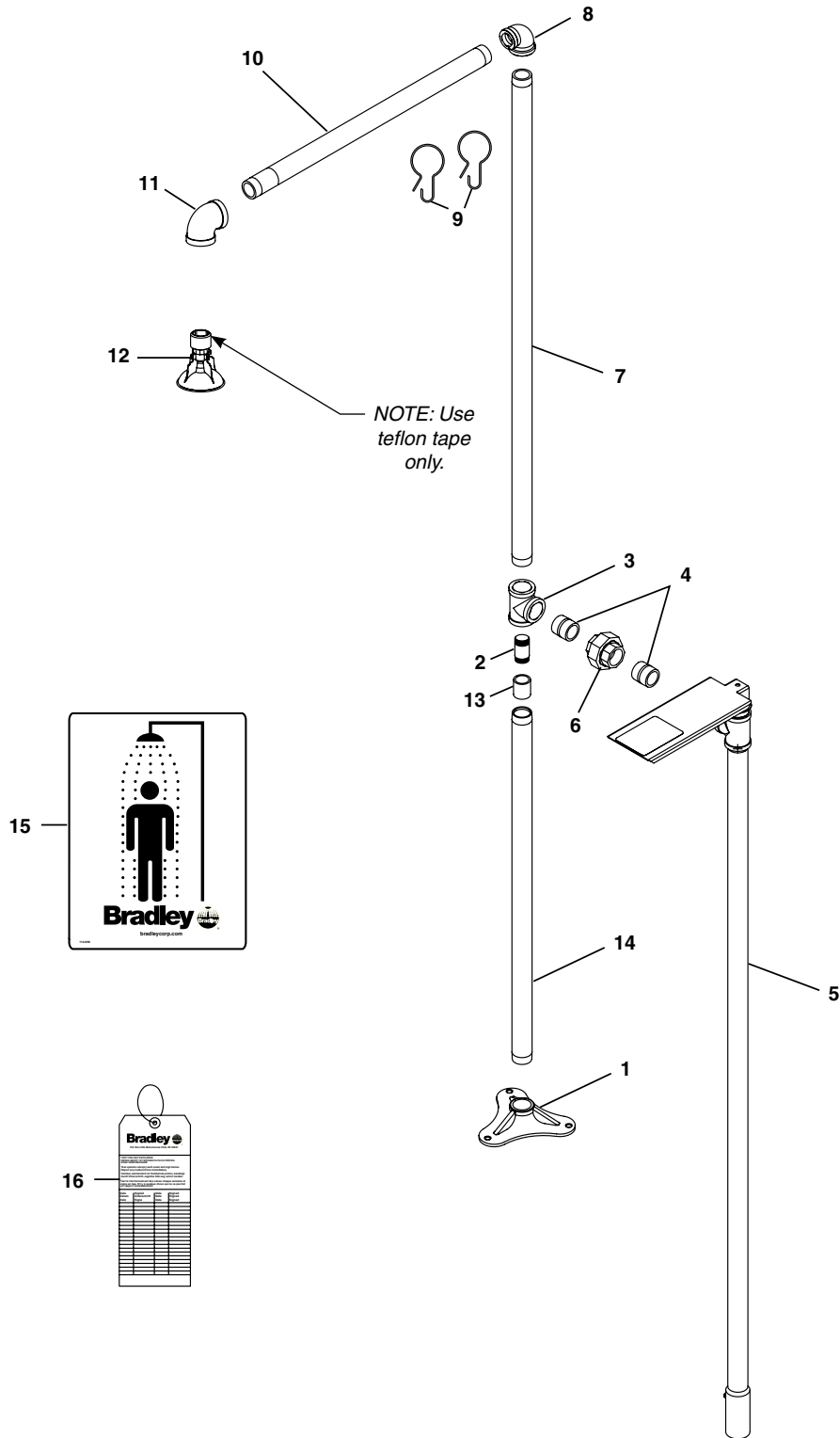
IMPORTANT: Do not rely on Bradley's Drench Shower to support supply piping.

2. Hang the safety sign from the unit with the curtain hooks provided (or mount it to the wall using sign-mounting hardware supplied by installer).

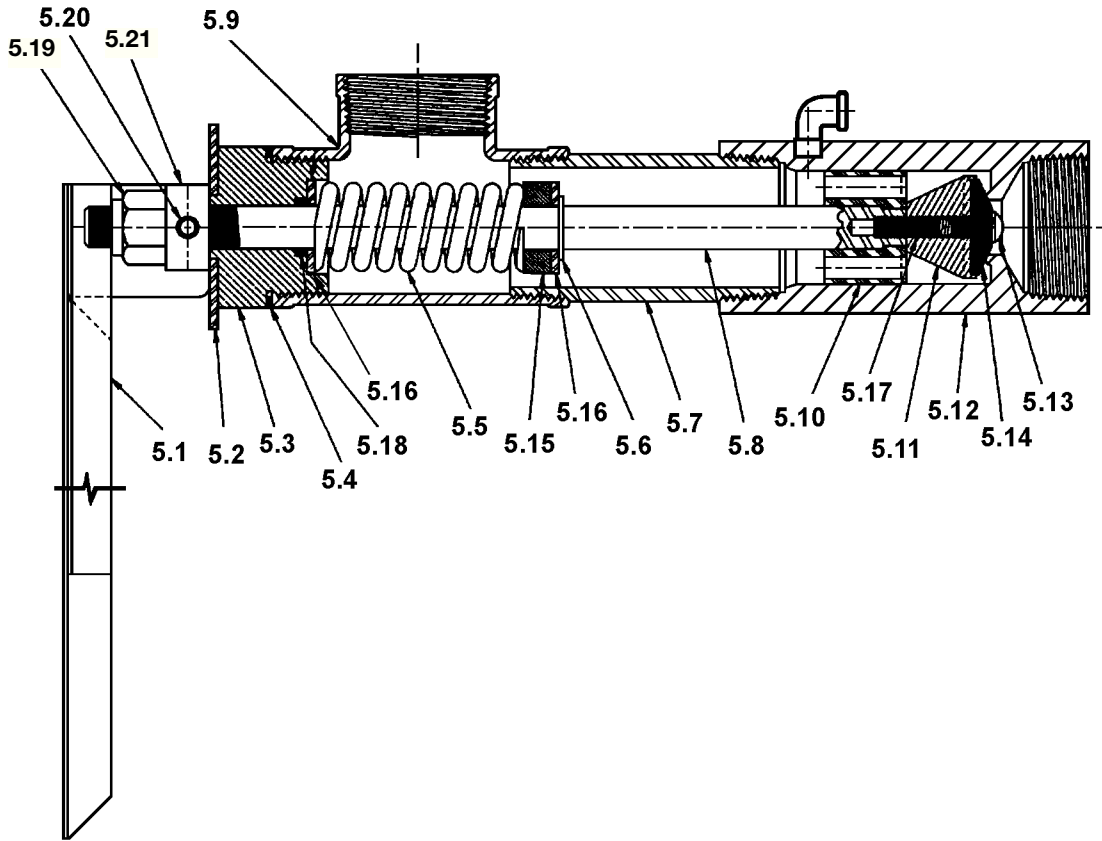


NOTE: All dimensions assume standard thread engagement. Variations in manufacturing allow for +/- ⅛" (3mm) per threaded joint. To find the tolerance of a dimension, add the number of thread joints in between a dimension and multiply it by ⅛" (3mm).

Assembly of Components



Assembly of Components



Parts List

Item	Part No.	Qty.	Description
1	131-042	1	Base
2	S06-136	1	Pipe 1¼" x 3" solid
3	169-727	1	Pipe Tee 1¼" NPT
4	113-006NA	2	Close Nipple 1¼" NPT
5	S90-252	1	18" Frost-Proof Valve Assembly
	S90-089	1	3' Frost-Proof Valve Assembly
	S90-090	1	4' Frost-Proof Valve Assembly
	S90-091	1	5' Frost-Proof Valve Assembly
	S90-253	1	6' Frost-Proof Valve Assembly
5.1	S08-040	1	Handle Assembly
5.2	142-002BB	1	Stainless Steel Washer
5.3	110-108	1	Bonnet Nut
5.4	124-001BS	1	Gasket
5.5	135-001AP	1	Spring
5.6	132-012	1	Retaining Ring
5.7	113-772	1	Casing Pipe (18" Bury Depth)
	113-773	1	Casing Pipe (3' Bury Depth)
	113-774	1	Casing Pipe (4' Bury Depth)
	113-775	1	Casing Pipe (5' Bury Depth)
	113-776	1	Casing Pipe (6' Bury Depth)
5.8	120-022K	1	Lifting Stem (18" Bury Depth)
	120-022D	1	Lifting Stem (3' Bury Depth)
	120-022E	1	Lifting Stem (4' Bury Depth)
	120-022F	1	Lifting Stem (5' Bury Depth)
	120-022G	1	Lifting Stem (6' Bury Depth)
5.9	169-727A	1	Tee

Item	Part No.	Qty.	Description
5.10	145-072	1	Guide
5.11	132-011	1	Retainer
5.12	118-246	1	Valve Body Assembly
5.13	160-138	1	Machine Screw
5.14	169-920	1	Faucet Washer
5.15	182-061	1	Spacer
5.16	142-002CC	3	Washer
5.17	160-251	1	Screw Stud
5.18	125-001CD	1	O-Ring
5.19	110-109	1	Bar Nut
5.20	165-038	2	Roll Pin
5.21	161-061	1	Stop Nut
5.22	169-890	1	Connector
6	169-852	1	Union 1¼" NPT
7	113-006MG	1	Pipe 1¼" NPT x 49½"
8	169-846	1	90° Reducing Elbow 1¼" x 1" NPT
9	151-001	2	Curtain Hook
10	113-006MT	1	Pipe 1" NPT x 21"
11	169-847	2	90° Street Elbow 1" NPT
12	S24-188	1	Plastic Showerhead Assembly
13	169-853	1	Coupling 1¼" NPT
14	113-1181	1	Pipe 1¼" NPT x 31"
15	114-090	1	Safety Sign
16	204-421	1	Emergency Tag
17	269-915	1	Grip Pad (not shown)