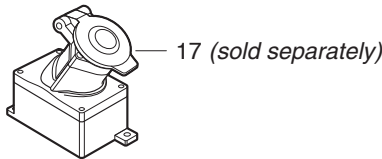
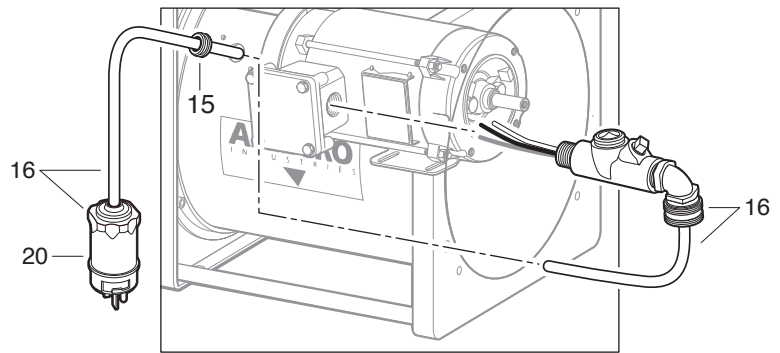
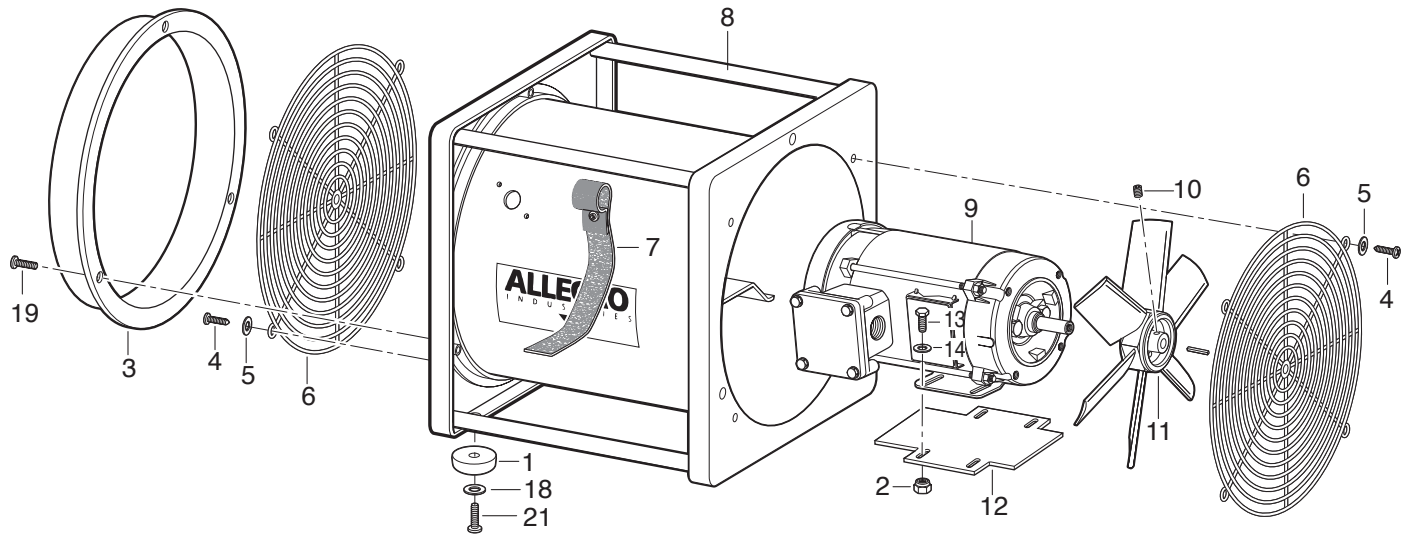


**16" & 20" EXPLOSION PROOF BLOWERS (9515-01, 9525-01)**  
**16" & 20" EXPLOSION PROOF HIGH OUTPUT BLOWERS (9515-50EXE, 9525-50EXE)**



[Allegro 9515-01 Explosion Proof Axial Blower Fan](#)  
[Allegro 9525-01 Explosion Proof Axial Blower Fan](#)

Key Part #	Description	Key Part #	Description	Key Part #	Description
9515-01	16" Explosion Proof Blower (EX)	7	9515-30 Cord Restraining Handle	15	9872-12 Grommet
9525-01	20" Explosion Proof Blower (EX)	8	9515-05 Chassis (16" Blower)	16	9503-20 Cord w/Plug, 20A/125V (EX)
9515-50EXE	16" High Output Explosion Proof Blower (EX)		9525-05 Chassis (20" Blower)	9503-21	Cord w/Plug, 10A/220V AC
9525-50EXE	20" High Output Explosion Proof Blower (EX)	9	9515-10EX Motor 1/2 H.P. 115/230V (EX)	17	9503-03 Receptacle 20A/125V AC (sold separately)
			9516-01EX Motor 3/4 H.P. 115/230V (EX)	18	9500-63 Flat Washer
1	9505-06 Feet		9515-51EX Motor 1 1/2 H.P. Atex 115/230V (EX)	19	9800-66 Machine Screw
2	9500-68 K-Nut	10	9513-62 Socket Set Screw	20	9503-02 Plug, 20A/125V
3	9515-03R Duct Ring Adaptor (16" Blower)	11	9515-14EX Fan, 6 Blade (EX)	9503-05	Plug, 20A/250V
	9525-03R Duct Ring Adaptor (20" Blower)		9516-14EX Fan, 3 Blade (EX)	21	9800-68 Machine Screw
4	9500-75 Machine Screw		9525-14EX Fan, 3 Blade (EX)		
5	9513-16 Grommet	12	9515-04 Motor Mount Pad		
6	9515-02 Grill (16" Blower)	13	9500-82 Tap Bolt		
	9525-02 Grill (20" Blower)	14	9800-61 Flat Washer		