

# NIKRO

## PORTABLE AIR CLEANING SYSTEM

[Go To AP850 Product Page](#)

[Go To AP1700 Product Page](#)

*Durability*

*Dependability*

*Performance*



• AIR CLEANER • WELDING SMOKE FILTER • SMOKE COLLECTOR • FUME EXTRACTOR • DUST COLLECTOR

*For A Safer Environment*



## PORTABLE AIR CLEANING SYSTEM

The NIKRO #AP0850 and #AP1700 are powerful air cleaning systems designed to capture welding fumes, smoke, oil mists, and light particulate matter at the source ... protecting worker's breathing zone from dangerous contaminants.

NIKRO portable air cleaners reduce maintenance costs, keeping shops cleaner and safer. They provide greater worker visibility and prevent accidents by removing oil mists and dust before they reach floors and equipment in the work place.

These air cleaners save money by filtering and returning heating and cooling air back into the shop.

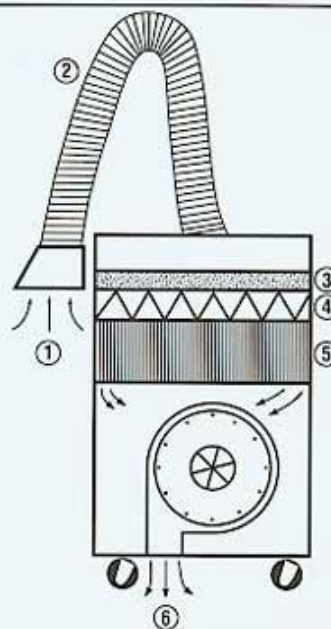
No outside ventilating is needed and no additional duct work is required.

Mounted on casters, these units are extremely portable and can be easily maneuvered to serve several different work stations. This means you always have an air purifying ventilation system where you need it.

So, if you are looking for economical solutions to maintaining a safe, clean shop, protecting workers, reducing your heating and cooling costs, and complying with O.S.H.A. and E.P.A. standards ... NIKRO HAS THE SOLUTION FOR YOU!

## OPERATION

- 1) Contaminated air enters the pick-up hood and is drawn through the hose and into the unit.
- 2) The 8" x 10' Flex Duct with pick-up hood is easily adjusted to any position by an externally mounted, self supported, adjustable arm.
- 3) The first stage of filtration is a washable/reusable spark trap filter.
- 4) The second stage of filtration is a high capacity pleated pre-filter designed to capture larger size particulate before reaching the main filter, therefore extending the life of the main filter.
- 5) The main filter is a high efficiency 99% filter designed to capture fine particulate before being exhausted. (Several other filter options are available including a 99.97% D.O.P. tested H.E.P.A. Filter and absorption modules for odor control).
- 6) Clean air is returned to the environment.



## SPECIFICATIONS

MODEL #	AIR FLOW C.F.M.	MOTOR	ELECTRIC*	BLOWER TYPE	FILTRATION**	CABINET FINISH	CAPTURE ARM	FILTER GAUGE	DIMENSIONS	WEIGHT
AP0850	850	1 H.P.	115 V	Direct Drive	3-Stage 99% Final	Powder Coat	8" x 10'	Yes	26" x 26" x 41"H	160
AP1700	1500	1.5 H.P.	115 V (220 V opt.)	Direct Drive	3-Stage 99% Final	Powder Coat	8" x 10'	Yes	26" x 26" x 48"H	185

\* 220 V Optional

\*\* Other Filter options include 99.97% DOP tested HEPA Filter, and absorption modules for odors

**NIKRO**  
INDUSTRIES, INC.

638 N. Iowa, Villa Park, Illinois 60181  
Telephone: 630-530-0558 • FAX 630-530-0740  
1-800-875-6457



Distributed By