


MILLER[®]

by Honeywell

AC TOOL
SUPPLY.COM
877-207-1244

 aikencolon.com



ManHandler[®]

Man-Rated Hoist/Work Winch

User Instruction Manual

Manuel D'utilisation / Manual de Instrucciones para El Usuario

Table of Contents

1.0 Purpose.....	3
2.0 General Requirements, Warnings & Limitations.....	3-4
3.0 Installation.....	5
4.0 Inspection, Operation and Maintenance.....	6
Product Specifications.....	15-16
Product Labels.....	17
Inspection and Maintenance Log.....	18
Warranty.....	19

Table des Matières

1.0 Objet.....	7
2.0 Exigences Générales, Avertissements et Limitations.....	7-8
3.0 Installation.....	9
4.0 Inspection, Fonctionnement et Entretien.....	10
Fiche Technique sur les Produits.....	15-16
Étiquettes sur les Produits.....	17
Registre D'inspection et D'entretien.....	18
Garantie.....	19

Índice

1.0 Propósito.....	11
2.0 Requisitos Generales, Advertencias y Limitaciones.....	11-12
3.0 Instalación.....	13
4.0 Inspección, Operación y Mantenimiento.....	14
Especificaciones de los Productos.....	15-16
Etiquetas de los Productos.....	17
Registro de Inspección y Mantenimiento.....	18
Garantía.....	19

Thank You

Thank you for your purchase of Miller Fall Protection equipment. Miller brand products are produced to meet the highest standards of quality at our ISO 9001 certified facility. Miller Fall Protection equipment will provide you with years of use, when cared for properly.

WARNING

All persons using this equipment must read, understand and follow all instructions. Failure to do so may result in serious injury or death. Do not use this equipment unless you are properly trained.

Questions?

It is crucial that the authorized person/user of this fall protection equipment read and understand these instructions. In addition, it is the employer's responsibility to ensure that all users are trained in the proper use, inspection, and maintenance of fall protection and confined space equipment. Fall protection training should be an integral part of a comprehensive safety program.

Proper use of fall arrest systems can save lives and reduce the potential of serious injuries from a fall. The user must be aware that forces experienced during the arrest of a fall or prolonged suspension may cause bodily injury. Consult a physician if there is any question about the user's ability to use this product. Pregnant women and minors must not use this product.

1.0 Purpose

The Miller ManHandler Man-Rated Hoist/Work Winch is a manually operated hoist/winch designed for a range of applications including:

- confined space entry;
- work positioning or suspension of personnel;
- personnel/material handling; or
- emergency rescue.

Except when used as an emergency rescue device, independent fall protection must be used in conjunction with this unit to raise, lower, position or suspend personnel.

2.0 General Requirements, Warnings & Limitations

All warnings and instructions shall be provided to authorized persons/users.

All authorized persons/users must reference the regulations governing occupational safety (including confined space regulations), as well as applicable ANSI or CSA standards. Please refer to product labeling for information on specific OSHA regulations, and ANSI and CSA standards met by this product.

All authorized persons/users of this equipment must be trained in proper confined space procedures.

Proper precautions should always be taken to remove any obstructions, debris, material, or other recognized hazards from the work area that could cause injuries or interfere with the operation of the system.

All equipment must be inspected before each use according to the manufacturer's instructions.

All equipment should be inspected by a qualified person on a regular basis.

This unit must be removed from service if any part of the system appears to be damaged or does not pass inspection.

To minimize the potential for accidental disengagement, a competent person must ensure system compatibility.

Equipment must not be altered in any way.

Do not attempt to service this device. Repairs must be performed only by the manufacturer, or persons or entities authorized in writing by the manufacturer.

The authorized person/user shall have a rescue plan and the means at hand to implement it when using this equipment.

Any equipment subjected to the forces of arresting a fall or affecting a rescue must be removed from service.

Never use equipment for purposes other than those for which it was designed.

Environmental hazards should be considered when selecting fall protection equipment. Equipment must not be exposed to chemicals which may produce a harmful effect. Use in highly corrosive or caustic environments dictates a more frequent inspection and servicing program to ensure the integrity of the device is maintained. Contact Miller Technical Services if in doubt.

Do not allow equipment to come in contact with anything that will damage it including, but not limited to, sharp, abrasive, rough or high-temperature surfaces, welding, heat sources, electrical hazards, or moving machinery.

Equipment must be kept clean and free of contaminants. Do not lubricate this unit.

Never remove product labels, which include important warnings and information for the authorized person/user.

MAXIMUM CAPACITY

For use by **ONE person only**. Maximum capacity is **350 lbs. (159kg)***, including tools. — **DO NOT EXCEED THIS WEIGHT.**
*ANSI Z359.4 capacity range is **130 lbs. (59kg) to 310 lbs. (140kg).**

FORCE REQUIRED FOR RESCUE

Force required to operate rescue features when device is loaded to capacity is **22 lbf. (98N).**

LIFELINE WARNINGS

- Check the maximum cable length required for the application before using to ensure that the unit has sufficient capacity.
- When lifeline is attached to a worker's harness, it must remain taut. Never allow lifeline to become slack or to pass under or entwine around user's arms, legs, neck or any other obstacle.
- Lifeline must be kept clean.
- Do not allow lifeline to come in contact with sharp edges or abrasive surfaces.

SYSTEM COMPATIBILITY

The Miller ManHandler Hoist/Winch is designed for use with Miller approved components. Substitution or replacement with non-approved component combinations or subsystems or both may affect or interfere with the safe function of each other and endanger the compatibility within the system. This incompatibility may affect the reliability and safety of the total system.

TRAINING

The purchaser of this equipment must ensure that all personnel using this equipment are familiar with these instructions and are properly trained in the operation, limitations, installation, inspection and maintenance of this product. Training should be conducted periodically and without exposing the trainee to a fall hazard.

ANCHORAGE REQUIREMENTS

For applications requiring the use of a personal fall arrest system in conjunction with this unit, anchorages must be capable of supporting 5,000 lbs.(22.2kN) per worker or meet OSHA requirements for a safety factor of two. Anchorage requirements based on ANSI are as follows:

- For fall arrest systems, anchorages must withstand a static load of 5,000 lbs. (22.2kN) for non-certified anchorages or two times the maximum arresting force for certified anchorages.
- For positioning systems, anchorages must withstand a static load of 3,000 lbs. (13.3kN) for non-certified anchorages or two times the foreseeable force for certified anchorages.
- For rescue systems, anchorages must withstand a static load of 3,000 lbs. (13.3kN) for non-certified anchorages or five-times the applied load for certified anchorages.
- When more than one personal fall arrest system is attached to an anchorage, the above anchorage strengths must be multiplied by the number of personal fall arrest systems attached to the anchorage.

3.0 Installation

The ManHandler Hoist/Winch is equipped with a built-in bracket for attachment to approved anchorage systems and devices, such as the Miller DuraHoist™ Confined Space System and Miller Tripods, Quad Pods, Davit Systems, Wall Mounts, etc.

To install the ManHandler Hoist/Winch, simply align the holes on the built-in mounting bracket with the holes on the mounting device being used (i.e., tripod or other approved anchorage) and insert the push pins completely through the bracket (see Fig. 1 & 2).

The ManHandler Hoist/Winch must be inspected before each use as described in section 4.1 Inspection and Operation of this manual.

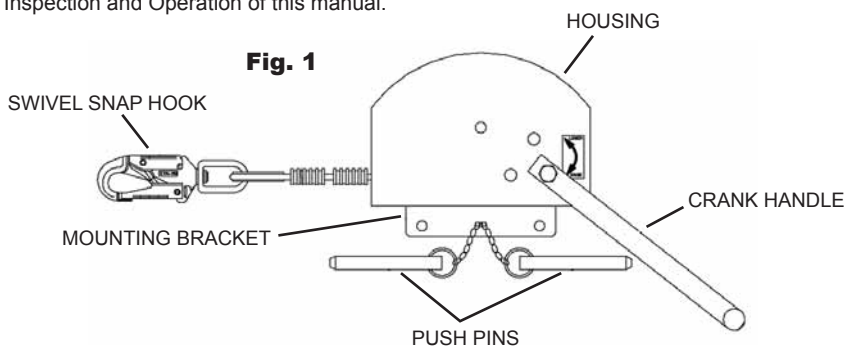
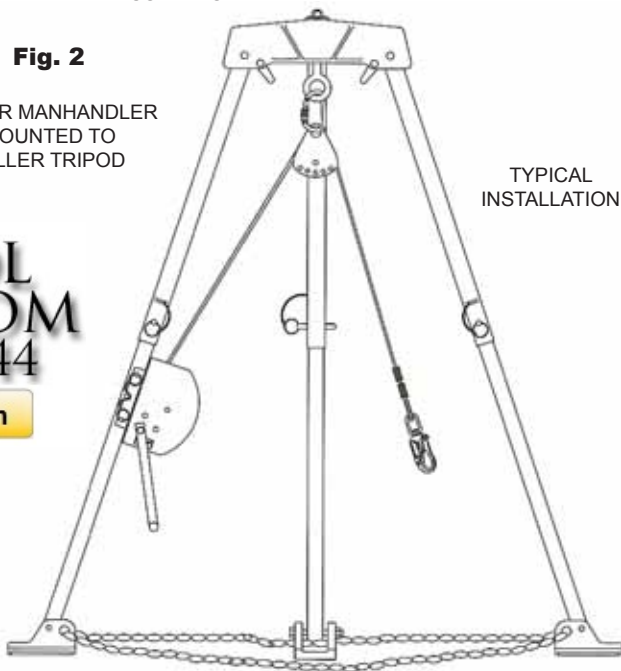


Fig. 2
MILLER MANHANDLER
MOUNTED TO
MILLER TRIPOD

TYPICAL
INSTALLATION



AC TOOL
SUPPLY.COM
877-207-1244

aikencolon.com

WARNING: Always ensure that the snap hook of the ManHandler unit is properly secured to a compatible connection, such as a worker's harness back D-ring, and is closed and locked when in use. Independent fall protection must be utilized if the ManHandler Hoist/Winch is being used to raise, lower, position, or suspend personnel in a non-emergency situation. A Miller retractable lifeline or a Miller retractable lifeline with recovery capabilities is recommended.

4.0 Inspection, Operation & Maintenance

4.1 Inspection and Operation

WARNING: The ManHandler Hoist/Winch must be inspected before each use. If the unit is used as an emergency retrieval device, it must be inspected prior to personnel entering the confined space in order to facilitate a quick recovery. In addition to the inspection required before each use, a competent person must inspect this unit at least annually. This periodic inspection should be set by the user's employer. Annual factory recertification is not required unless the unit is subjected to the forces of arresting a fall or affecting a rescue.

CAUTION: Always wear gloves when inspecting wire rope/cable units; broken strands can cause injury!

- 1. Device Housing and Parts/Mounting Bracket:** Inspect the unit for bent, cracked, distorted, worn, malfunctioning or damaged parts; loose fasteners or missing parts/components; deterioration; deformation; corrosion; or any other indications of damage/problems that may affect the integrity and operation of the product. If in doubt, contact the manufacturer.
- 2. Lifeline:** The entire length of the lifeline should be checked for signs of damage. Inspect for cuts or broken strands, unusual wearing patterns, corrosion, kinks, or chemical damage.
- 3. Lowering and Raising Operation:** Apply a light tension [50 lbs. (23kg) minimum] on the cable lifeline, and:
 - a) Rotate the crank handle in a counter clockwise direction to extend cable from the unit (lower). *Note: When the cranking is stopped, the friction brakes must securely hold the load without the crank handle rotating. Should this brake malfunction, an independent overspeed braking system will be activated.*
 - b) Rotate the crank handle clockwise to return the cable to the unit (raise). There should be a clicking noise heard while the cable is being cranked into the unit.
- 4. Snap Hook:** Check the snap hook to be sure that the gate operates freely, the locking mechanism functions properly, and the swivel rotates smoothly. The gate should seat into the nose without binding and should not be distorted or obstructed. The gate spring should exert sufficient force to firmly close the gate. The locking mechanism must prevent the gate from opening when the gate is closed. Inspect the snap hook for any signs of damage to the gate; bent, cracked, or distorted components; corrosion or pitted surfaces.
- 5. Anchorage Connection:** Make sure the unit is properly anchored to the mounting device and the push pins are properly installed through the mounting bracket. If the system is equipped with a sheave and carabiner, check to ensure the carabiner is properly seated and in the locked position between the sheave and anchorage point.

UNITS THAT DO NOT PASS INSPECTION OR HAVE BEEN SUBJECTED TO THE FORCES OF ARRESTING A FALL OR AFFECTING A RESCUE MUST BE REMOVED FROM SERVICE.

4.2 Maintenance

Basic care of all safety equipment will prolong the durable life of the unit and will contribute toward the performance of its vital safety function.

Servicing

Servicing of the Miller ManHandler Hoist/Winch must only be carried out by Miller Fall Protection or persons or entities authorized in writing by Miller Fall Protection. A record log of all servicing and inspection dates for this device must be maintained. Only original Miller replacement parts are approved for use in this device. Repairable devices must be returned to our facilities or an approved service center for physical inspection and recertification whenever they do not pass inspection or have been subjected to the forces of arresting a fall or affecting a rescue. Non-repairable devices that do not pass inspection must be disposed of in a manner to prevent inadvertent further use. Contact your Miller distributor for a return authorization number.

Cleaning and Storage

Periodically clean the exterior of the device and wipe the lifeline using a damp cloth and mild detergent. Towel dry. Store in a clean, dry location when not in use. **The lifeline should be fully retracted into the device when not in use.**

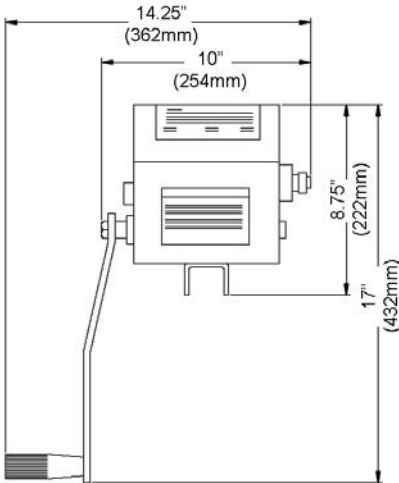
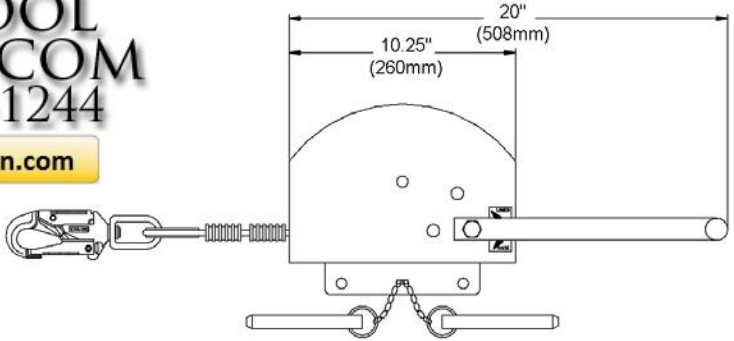
Product Specifications

Fiche Technique sur les Produits

Especificaciones de los Productos

**AC TOOL
SUPPLY.COM**
877-207-1244

aikencolon.com



Model Modèle Modelo	Lifeline Material Matériau du filin Material de la cuerda	Length Longueur Largo	Weight Poids Peso
8442/65FT 8442-Z7/65FT*	3/16 in. galvanized cable 5mm câble galvanisé 5mm cable de acero galvanizado	65 ft. (20m)	39 lbs. (18kg)
8442SS/65FT 8442SS-Z7/65FT*	3/16 in. stainless steel cable 5mm câble en acier inoxydable 5mm cable de acero inoxidable	65 ft. (20m)	39 lbs. (18kg)
8442/100FT 8442-Z7/100FT*	3/16 in. galvanized cable 5mm câble galvanisé 5mm cable de acero galvanizado	100 ft. (30.5m)	41.275 lbs. (19kg)
8442SS/100FT 8442SS-Z7/100FT*	3/16 in. stainless steel cable 5mm câble en acier inoxydable 5mm cable de acero inoxidable	100 ft. (30.5m)	41.275 lbs. (19kg)

*Models with "Z7" in the part number have an ANSI Z359.1 compliant snap hook with a minimum gate load strength of 3,600 lbs. (16kN).
 *Les modèles dont le numéro de référence comporte «Z7» comprennent un mousqueton conforme à ANSI Z359.1 avec une résistance de charge de loquet minimale de 16 kN (3 600 lbs).
 *Los modelos con "Z7" en el número de parte tienen un gancho con resorte que cumple con ANSI Z359.1, con una fuerza mínima de carga de la compuerta de 3600 lbs. (16kN).

CERTIFICATION:

All 8442 models meet OSHA.

8442-Z7 and 8442SS-Z7 models also meet ANSI Z359.4.

CERTIFICATION:

Tous les modèles 8442 sont conformes à OSHA.

Les modèles 8442-Z7 et 8442SS-Z7 sont également conformes à ANSI Z359.4.

CERTIFICACIÓN:

Todos los modelos 8442 cumplen con OSHA.

Los modelos 8442-Z7 y 8442SS-Z7 también cumplen con ANSI Z359.4.

TECHNICAL SPECIFICATIONS
SPÉCIFICATIONS TECHNIQUES / ESPECIFICACIONES TÉCNICAS

Maximum Capacity Capacité maximale / Capacidad máxima	350 lbs. (159kg)
Maximum Working Length Longueur de travail maximale / Longitud de trabajo máxima	100 ft. (30.5m) or 65 ft. (20m) depending on unit 30.5 m (100 pi) ou 20 m (65 pi) selon l'unité / 100 pies (30.5m) o 65 pies (20m) dependiendo de la unidad
Brake Systems Systèmes de freinage / Sistemas de freno	Holding and Inertia - Friction Disk Maintien et inertie – Disque de friction / Sujeción e inercia -Disco de fricción
Gear Ratio Rapport de démultiplication / Coeficiente de reducción	5:1
Retrieval Speed Vitesse de récupération / Velocidad de recuperación	20 ft./min. (6.096m/min.) 6,096 m/min (20 pi./min) / 20 pies/min. (6.096m/min.)
Force Required to Operate Rescue Features when Device is Loaded to Maximum Capacity Force requise pour utiliser les fonctions de sauvetage quand le dispositif est chargé à sa capacité maximale / Fuerza requerida para hacer funcionar las características de rescate cuando el dispositivo está cargado a su máxima capacidad	22 lbs. (98N)

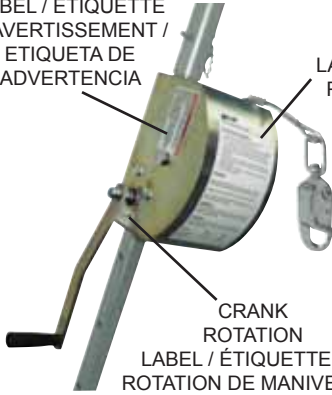
MATERIAL SPECIFICATIONS
SPÉCIFICATIONS DES MATÉRIAUX / ESPECIFICACIONES DE LOS MATERIALES

Housing Logement / Caja	Steel Weldment, Yellow Chromate Plating Soudure acier, chromaté / Soldadura de acero, plateado con cromato amarillo
Drum Tambour / Tambor	Steel Weldment, Yellow Chromate Plating (Zinc) Soudure acier, chromaté (zinc) / Soldadura de acero, plateado con cromato amarillo (Zinc)
Shaft Arbre / Eje	4140 Steel Acier 4140 / Acero 4140
Springs Ressorts / Resortes	Stainless Steel Acier inoxydable / Acero inoxidable
Brake Pawls Cliquets de frein / Retenes del freno	1020 Steel, Yellow Chromate Plating Acier 1020, chromaté / Acero 1020, plateado con cromato amarillo
Brake Pads Patins de frein / Almohadillas del freno	Fiber Composite Fibre composite / Compuesto de fibra
Bearings Paliers / Cojinetes	Oil Impregnated Bronze Bronze imprégné d'huile / Bronce impregnado en aceite
Hardware Matériel / Ferrería	Grade 5, Zinc Plated Grade 5, galvanisé / Grado 5, plateado con zinc
Snap Hook Mousqueton / Gancho con resorte	Drop Forged Steel Acier matricé / Acero forjado
Cable Câble / Cable	Galvanized Steel or Stainless Steel Acier galvanisé ou acier inoxydable / Acero galvanizado o acero inoxidable

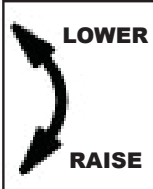
www.actoolsupply.com
Product Labels
Étiquettes sur les Produits
Etiquetas de los Productos

WARNING
 LABEL / ÉTIQUETTE
 D'AVERTISSEMENT /
 ETIQUETA DE
 ADVERTENCIA

PRODUCT
 LABEL / ÉTIQUETTE DE
 PRODUIT / ETIQUETA
 DEL PRODUCTO



CRANK
 ROTATION
 LABEL / ÉTIQUETTE DE
 ROTATION DE MANIVELLE /
 ETIQUETA DE ROTACIÓN DE
 LA MANIVELA



WARNING!

READ, UNDERSTAND AND FOLLOW
 ALL INSTRUCTIONS. FAILURE TO DO
 SO MAY RESULT IN SERIOUS INJURY
 OR DEATH.

USE OF THIS EQUIPMENT FOR THE
 RAISING, LOWERING, OR SUSPENSION
 OF PERSONNEL IN A NON-EMERGENCY
 SITUATION REQUIRES THE USE OF
 INDEPENDENT FALL PROTECTION.

MANHANDLER®
Man-Rated Hoist/Work Winch

WARNINGS AND LIMITATIONS

- Users must read, understand, and follow all manufacturer's instructions supplied with this product at the time of shipment.
- Only trained personnel should use this device.
- Do not use the unit if any part of the system appears to be damaged.
- Do not attempt to service this unit. If it does not operate properly or needs repair, return the unit to Miller Fall Protection for service.
- The designed working load limit is 350 lbs. (1.6kN). Do not exceed the working load.
- Except when used as an emergency rescue device, independent fall protection must be used in conjunction with this unit to raise, lower, or suspend personnel.
- When winch cable is attached to a worker's harness, the cable must be free of slack and remain taut.
- Do not allow cable to come in contact with sharp edges or abrasive surfaces.

OPERATION

Raising: Rotate the crank handle in a clockwise direction. A clicking noise should be heard while the cable is being cranked into the unit.
Lowering: Rotate the crank handle in a counter-clockwise direction.
Note: A light tension [50 lb. (222N) minimum] should be maintained on the cable during operation of the winch.
Force required to operate rescue features when device is loaded to maximum capacity: 22lbf. (98N)

INSTALLATION

Refer to instruction manual for proper mounting procedures. Anchorages for applications requiring the use of a personal fall arrest system must be capable of supporting a 5,000 lb. (22kN) static load.

INSPECTION

Inspect the unit before each use for any loose fasteners, bent, cracked, distorted, worn, malfunctioning, or otherwise damaged parts; and check raising and lowering operation. Inspect unit in accordance to the manufacturer's instructions and regulatory guidelines.

Transparent Window



Model Length: 6442-Z7/65FT
 (Model Longueur)
 Date of Manufacture: 01/09/11
 (Date de Fabrication):
 Inspection/Lot No. A-4328
 (No. de Inspección/Lot):
 Expiration Date: See Manual for Inspection.

18294 Rev. A

Honeywell Safety Products
 1555 19th Street
 Franklin, PA 16223
 1-800-473-5242

www.actoolsupply.com
Inspection and Maintenance Log
Registre D'inspection et D'entretien
Registro de Inspección y Mantenimiento

DATE OF MANUFACTURE: _____
 DATE DE FABRICATION / FECHA DE FABRICACIÓN

MODEL NUMBER: _____
 NUMÉRO DE MODÈLE / NÚM. DE MODELO

DATE PURCHASED: _____
 DATE D'ACHAT / FECHA DE COMPRA

INSPECTION DATE DATE D'INSPECTION FECHA DE INSPECCIÓN	INSPECTION ITEMS NOTED POINTS NOTÉS LORS DE L'INSPECTION PUNTOS DE INSPECCIÓN RELEVANTES	CORRECTIVE ACTION ACTION CORRECTIVE MEDIDA CORRECTIVA	MAINTENANCE PERFORMED ENTRETIEN EFFECTUÉ MANTENIMIENTO REALIZADO
Approved by: Approuvé par: Aprobado por:			
Approved by: Approuvé par: Aprobado por:			
Approved by: Approuvé par: Aprobado por:			
Approved by: Approuvé par: Aprobado por:			
Approved by: Approuvé par: Aprobado por:			
Approved by: Approuvé par: Aprobado por:			
Approved by: Approuvé par: Aprobado por:			
Approved by: Approuvé par: Aprobado por:			
Approved by: Approuvé par: Aprobado por:			
Approved by: Approuvé par: Aprobado por:			
Approved by: Approuvé par: Aprobado por:			
Approved by: Approuvé par: Aprobado por:			
Approved by: Approuvé par: Aprobado por:			
Approved by: Approuvé par: Aprobado por:			



MILLER® FALL PROTECTION PRODUCTS
TOTAL SATISFACTION ASSURANCE

At Miller Fall Protection, we have been providing quality Miller brand fall protection equipment to millions of workers worldwide since 1945.

LIMITED LIFETIME WARRANTY
BACKED BY OVER 65 YEARS IN THE FALL PROTECTION BUSINESS

We sincerely believe that our fall protection equipment is the best in the world.

Our products endure rigorous tests to ensure that the fall protection equipment you trust is manufactured to the highest standards. Miller fall protection products are tested to withstand normal wear and tear, but are not indestructible and can be damaged by misuse.

Our Limited Lifetime Warranty does not apply to normal wear and tear or abusive treatment of the product.

In the unlikely event that you should discover defects in either workmanship or materials, under our Limited Lifetime Warranty, we will repair or replace the product at our expense.

If a replacement is necessary and your product is no longer available, a comparable product will be substituted.

Manufacturing specifications are subject to change without notice.

PRODUITS MILLER® FALL PROTECTION
ASSURANCE DE SATISFACTION TOTALE

Chez Miller Fall Protection, nous fournissons des équipements de protection contre les chutes de marque Miller de qualité à des millions de travailleurs dans le monde entier depuis 1945.

GARANTIE LIMITÉE À VIE
ASSURÉE GRÂCE À PLUS DE 65 ANS PASSÉS DANS LE DOMAINE DE LA PROTECTION CONTRE LES CHUTES

Nous croyons sincèrement que notre équipement de protection contre les chutes est le meilleur au monde. Nos produits sont soumis à des tests rigoureux, afin d'assurer que les équipements de protection contre les chutes dans lesquels vous avez confiance sont fabriqués selon les normes les plus exigeantes.

Les produits de protection contre les chutes Miller sont soumis à des essais pour vérifier qu'ils résistent à une usure normale; ils ne sont cependant pas indestructibles et peuvent s'endommager en cas de mauvaise utilisation. Notre garantie limitée à vie ne s'applique pas à l'usure normale ou à un usage abusif du produit.

Dans le cas peu probable où vous découvririez des défauts, soit de fabrication, soit de matériau, dans le cadre de notre garantie à vie, nous réparerons ou remplacerons le produit à nos frais. En cas de remplacement, si votre produit n'est plus offert, vous recevrez un produit comparable.

Les caractéristiques de fabrication peuvent être modifiées sans préavis.

PRODUCTOS ANTICAÍDAS MILLER®
GARANTÍA DE SATISFACCIÓN TOTAL

En Miller Fall Protection, venimos suministrando desde 1945 los equipos de protección anticaídas con la calidad Miller a millones de trabajadores en todo el mundo.

GARANTÍA LIMITADA DE POR VIDA
NOS RESPALDAN MÁS DE 65 AÑOS EN LA FABRICACIÓN DE EQUIPO ANTICAÍDAS

Sinceramente creemos que su equipo de protección contra caídas es el mejor del mundo. Nuestros productos resisten rigurosas pruebas para garantizar que el equipo de protección contra caídas en el que usted confía está fabricado de conformidad con las normas más elevadas. Los productos anticaídas Miller son sometidos a pruebas para que resistan el desgaste normal, pero no son indestructibles y su incorrecta utilización puede dañarlos.

Nuestra Garantía limitada de por vida no se aplica al desgaste normal ni al maltrato del producto.

En el poco probable caso de que usted descubriera defectos de mano de obra o materiales, por nuestra Garantía limitada de por vida, repararemos o sustituiremos el producto por cuenta nuestra. Si un reemplazo es necesario y nuestro producto ya no está disponible, se lo sustituiremos por otro comparable.

Las especificaciones de fabricación están sujetas a modificaciones sin previo aviso.



A]`Yf`A Ub< UbX`Yf`Hoish

| 42/FEFV
 | | ØÍ ØV
 | | GÕÖZİ ĐÍ ØVÁ ã @Ças&U^•c{
 | | GÜÜØÍ ØV
 | | GÜÜØÍ ØV
 | | GZİ ØÍ ØV
 | | GZİ ØÍ ØV
 | ÜÍ €ÕÔT Đ €ØVÁ ã @Ças&U^•c{
 | ÜÍ €ÕÔT Zİ Đ €ØVÁ ã @Ças&U^•c{
 | ÜÍ €ÕYT Đ €ØVÁ ã @Ças&U^•c{
 | ÜÍ €UÔT Đ €ØVÁ ã @Ças&U^•c{
 | ÜÍ €UYT Đ €ØVÁ ã @Ças&U^•c{