

Miller ShockFusion™ Corner Brackets

Models: X11015, X11017

Description

The Miller ShockFusion curved corner brackets allow for custom configuration with options to set at 45 degrees or 90 degrees.

Materials

Corner Assembly

(bracket and bolts): 304 and 18-8 Stainless Steel

Technical

Maximum Capacity: See ShockFusion Instruction Manual (I312)

Ultimate Strength: 5,000 lbs. (22.2kN)

Certifications

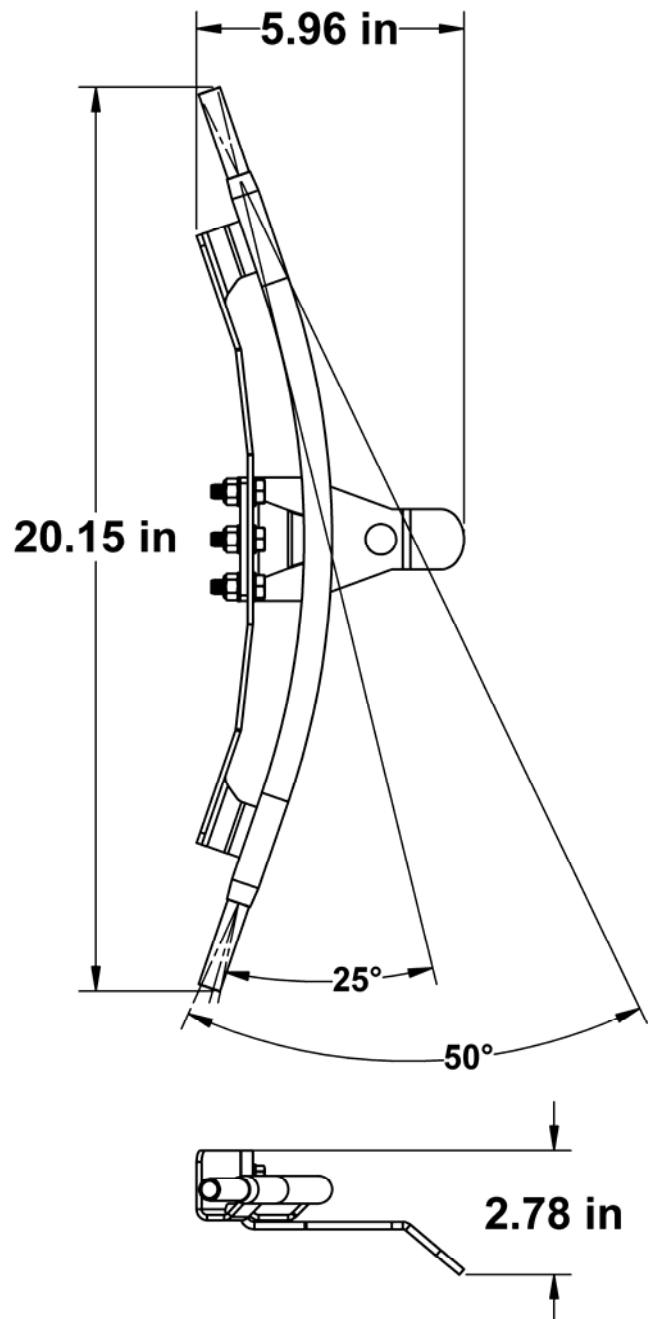
Components meet OSHA 1926.502, 1910.66, ANSI A10.32 and EN795 Class C

All system components meet the design requirements as set forth in ANSI Z359.6 and CSAZ259.16-2004. Please note, however, that the system as a whole once installed must be deemed to be in compliance with these standards by a qualified engineer.

[X11017 Product Page](#)



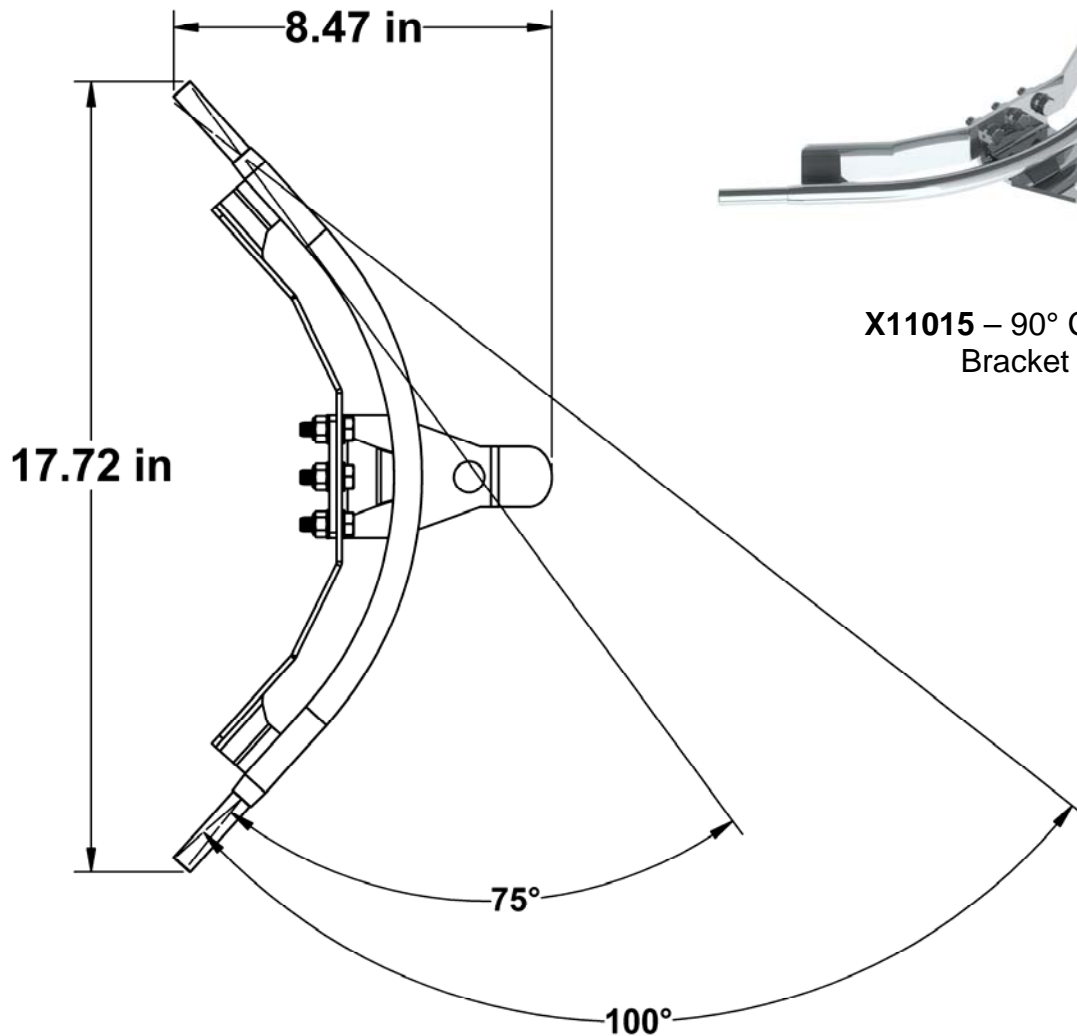
X11017 – 45° Corner Bracket



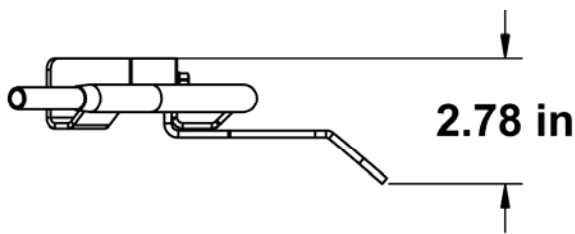
Miller ShockFusion™ Corner Brackets

Models: X11015, X11017

[X11015 Product Page](#)



X11015 – 90° Corner Bracket



by Honeywell

⚠WARNING! THIS DOCUMENT PROVIDES AN OVERVIEW OF FALL PROTECTION PRODUCTS AVAILABLE FROM HONEYWELL AND CARE HAS BEEN TAKEN TO ASSURE THE ACCURACY OF THE DATA. IT DOES NOT PROVIDE IMPORTANT PRODUCT WARNINGS AND INSTRUCTIONS. HONEYWELL RECOMMENDS ALL USERS OF FALL PROTECTION EQUIPMENT UNDERGO THOROUGH TRAINING, AND THAT ALL WARNINGS AND INSTRUCTIONS PROVIDED WITH THE PRODUCTS BE THOROUGHLY READ AND UNDERSTOOD PRIOR TO EACH USE. FAILURE TO READ AND FOLLOW ALL PRODUCT WARNINGS AND INSTRUCTIONS COULD RESULT IN SERIOUS INJURY OR DEATH.