

Miller ShockFusion™ Base Plates

Base Models: X11010, X11011, X11012, X11013

Description

The versatile Miller ShockFusion bases allow the system to adapt to a variety of roof surfaces.

Materials

BASE PLATES

**Standing Seam,
Wood and Metal:**

Zinc Plated/Powder Coated

Membrane:

Yellow Zinc Chromate
Plated Steel

Technical

BASE PLATES

Maximum Capacity: See ShockFusion Instruction
Manual (I312)

Ultimate Strength: 5,000 lbs. (22.2 kN)

Certifications

Components meet OSHA 1926.502, 1910.66, ANSI
A10.32 and EN795 Class C

All system components meet the design requirements
as set forth in ANSI Z359.6 and CSAZ259.16-2004.
Please note, however, that the system as a whole once
installed must be deemed to be in compliance with
these standards by a qualified engineer.

X11010
Small Base for Standing Seam
and Metal Sheathing Roofs



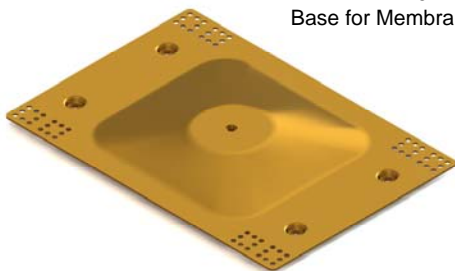
[X11010 Product Page](#)

X11011
Large Base for
Standing Seam Roofs



[X11011 Product Page](#)

X11012
Base for Membrane Roofs



[X11012 Product Page](#)

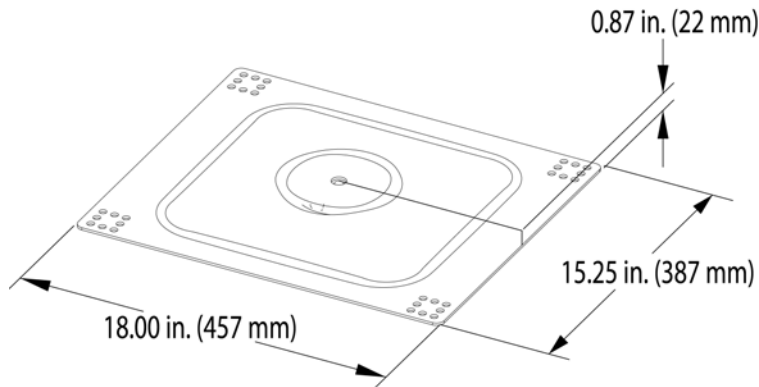
X11013
Multipurpose Base for Metal
Sheathing, Trapezoidal, Wood
and Concrete Roofs



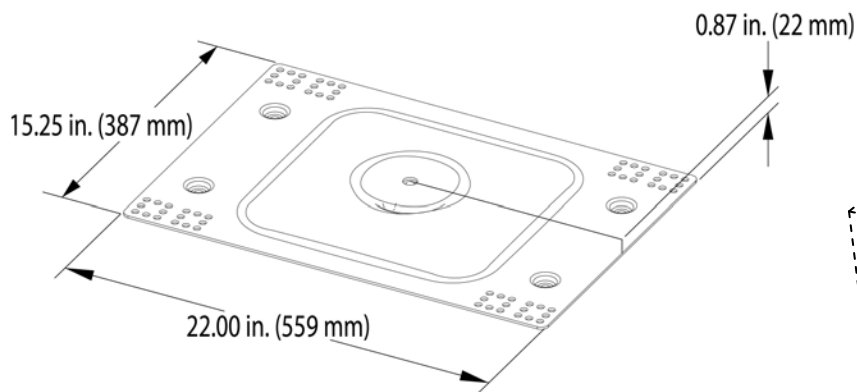
[X11013 Product Page](#)

Miller ShockFusion™ Base Plates

Base Models: X11010, X11011, X11012, X11013

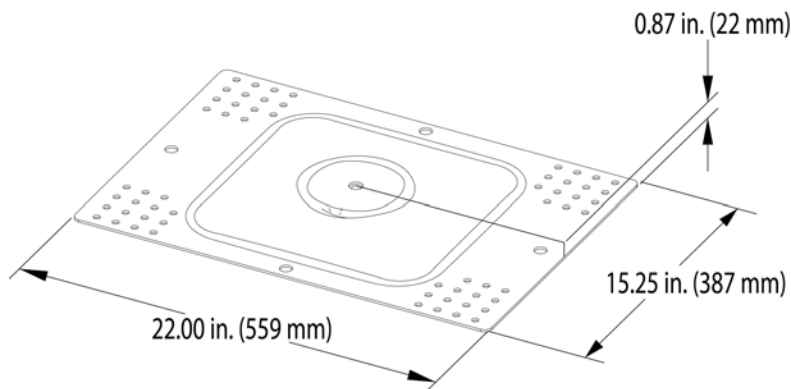


X11010
Small Base for
Standing Seam and
Metal Sheathing Roofs



X11011
Large Base for Standing
Seam Roofs

X11012
Base for Membrane Roofs



X11013
Multipurpose Base for
Metal Sheathing,
Trapezoidal, Wood and
Concrete Roofs



by Honeywell

WARNING! THIS DOCUMENT PROVIDES AN OVERVIEW OF FALL PROTECTION PRODUCTS AVAILABLE FROM HONEYWELL AND CARE HAS BEEN TAKEN TO ASSURE THE ACCURACY OF THE DATA. IT DOES NOT PROVIDE IMPORTANT PRODUCT WARNINGS AND INSTRUCTIONS. HONEYWELL RECOMMENDS ALL USERS OF FALL PROTECTION EQUIPMENT UNDERGO THOROUGH TRAINING, AND THAT ALL WARNINGS AND INSTRUCTIONS PROVIDED WITH THE PRODUCTS BE THOROUGHLY READ AND UNDERSTOOD PRIOR TO EACH USE. FAILURE TO READ AND FOLLOW ALL PRODUCT WARNINGS AND INSTRUCTIONS COULD RESULT IN SERIOUS INJURY OR DEATH.