

Miller Fusion™ Intermediate Roof Post and Miller ShockFusion™ HLL System End & Corner Roof Post

Models: X11008, X11009

[Fusion X11008 Product Page](#)

Description

The Miller Fusion Intermediate Roof Post and Miller ShockFusion Horizontal Lifeline (HLL) Roof Post lower force applied to the base or complete horizontal lifeline system.

Materials

Miller Fusion

Energy Absorber: 304 Stainless Steel

Internal Connecting

Components: 304 and 18-8 Stainless Steel

Post Tube: Zinc-Plated/Powder Coated Steel; Anodized Cast 6061-T6 Aluminum

Post/Base Plate Seal: HDPE and Neoprene

Post Cap: Vinyl with UV Inhibitor

Miller ShockFusion

Energy Absorber: 304 Stainless Steel

Internal Connecting

Components: 304 and 18-8 Stainless Steel

Post Tube: Zinc-Plated/Powder Coated Steel; Anodized Cast 6061-T6 Aluminum

Post/Base Plate Seal: HDPE and Neoprene

Post Cap: HDPE with UV Inhibitor

Technical

Miller Fusion

Activation Force: 1,000 lbs. (4.4 kN)

Maximum Capacity: See ShockFusion Instruction Manual (I312)

Ultimate Strength: 5,000 lbs. (22.2 kN)

Miller ShockFusion

Activation Force: 1,100 lbs. (4.89 kN)

Shock Absorption Force: 2,500 lbs. (11.1 kN)

Maximum Capacity: See ShockFusion Instruction Manual (I312)

Ultimate Strength: 5,000 lbs. (22.2 kN)



X11008
Miller Fusion
Intermediate Roof Post

[ShockFusion X11009
Product Page](#)



X11009
ShockFusion HLL
System End/Corner
Roof Post

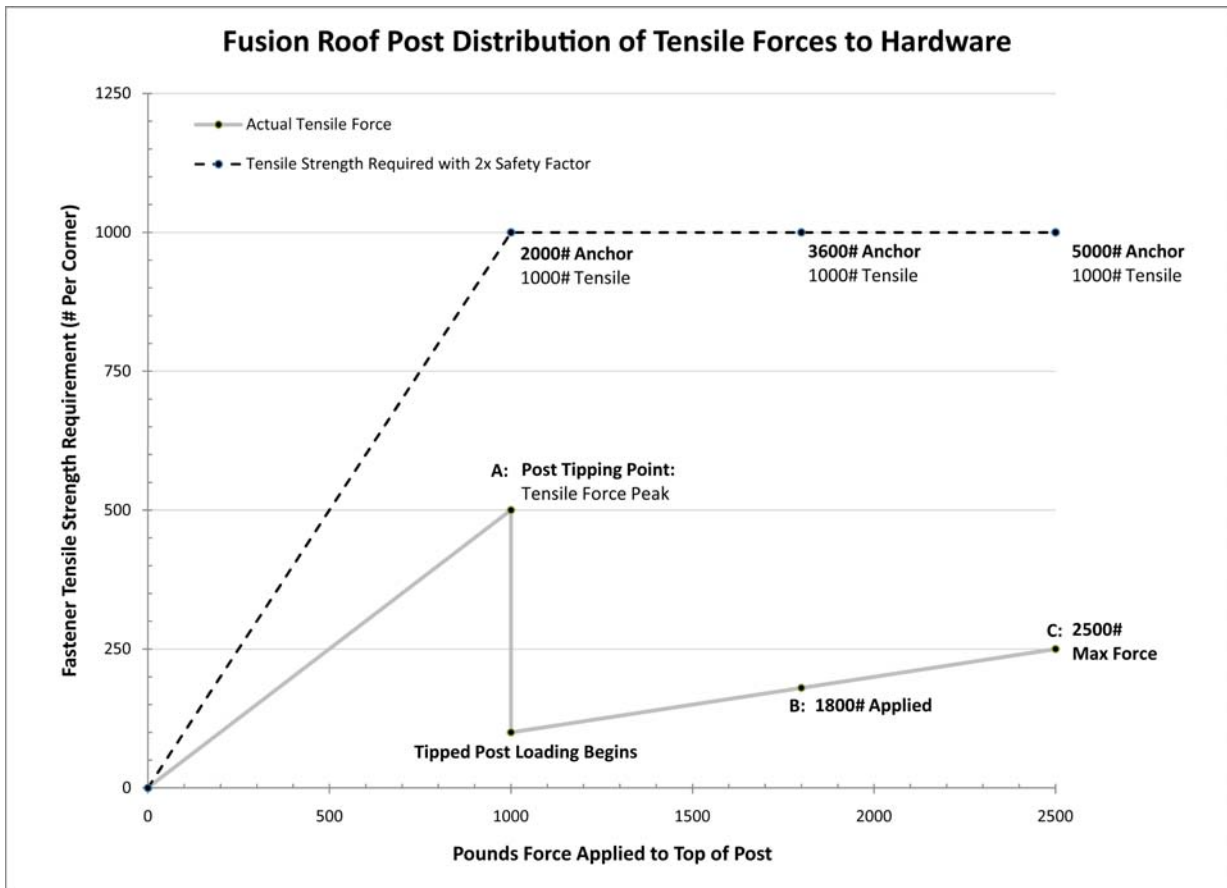
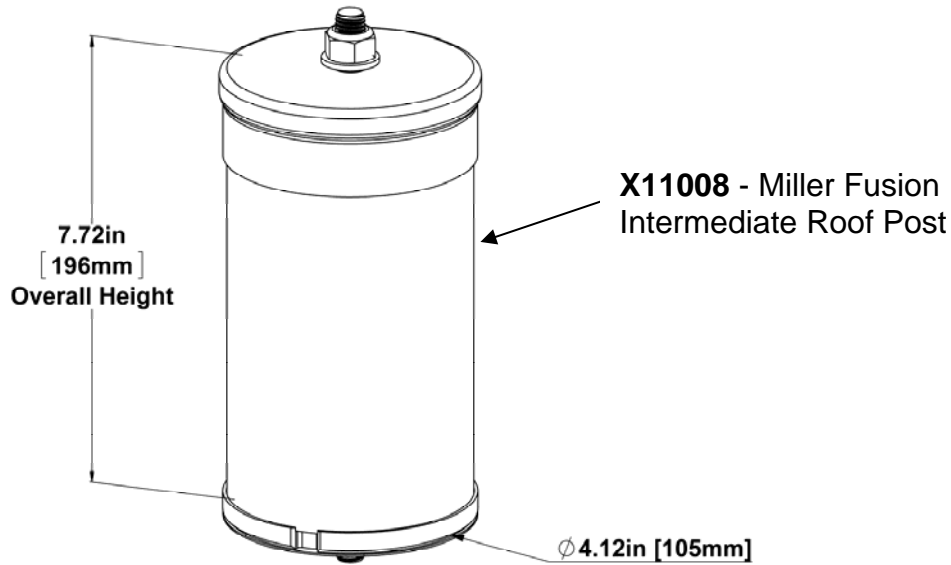
Certifications

Components meet OSHA 1926.502, 1910.66, ANSI A10.32 and EN795 Class C

All system components meet the design requirements as set forth in ANSI Z359.6 and CSAZ259.16-2004. Please note, however, that the system as a whole once installed must be deemed to be in compliance with these standards by a qualified engineer.

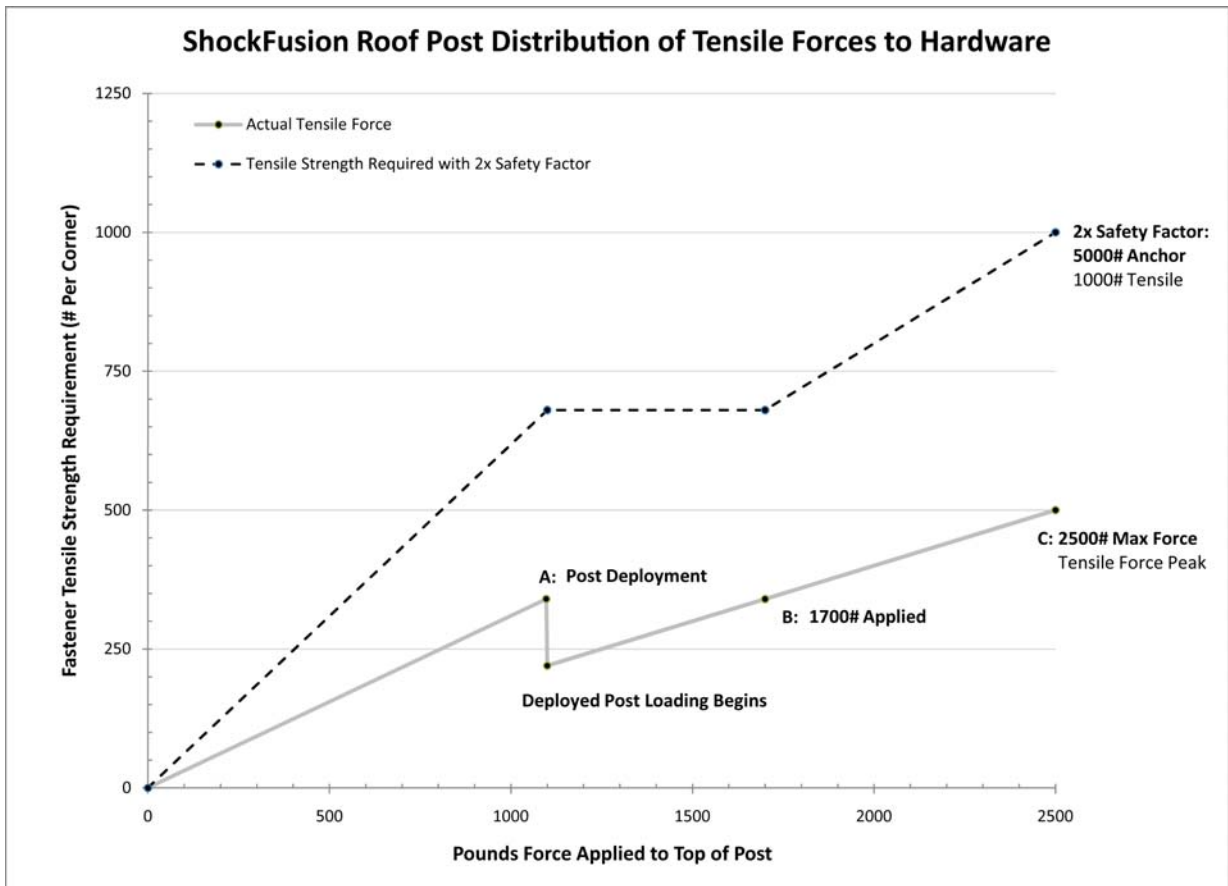
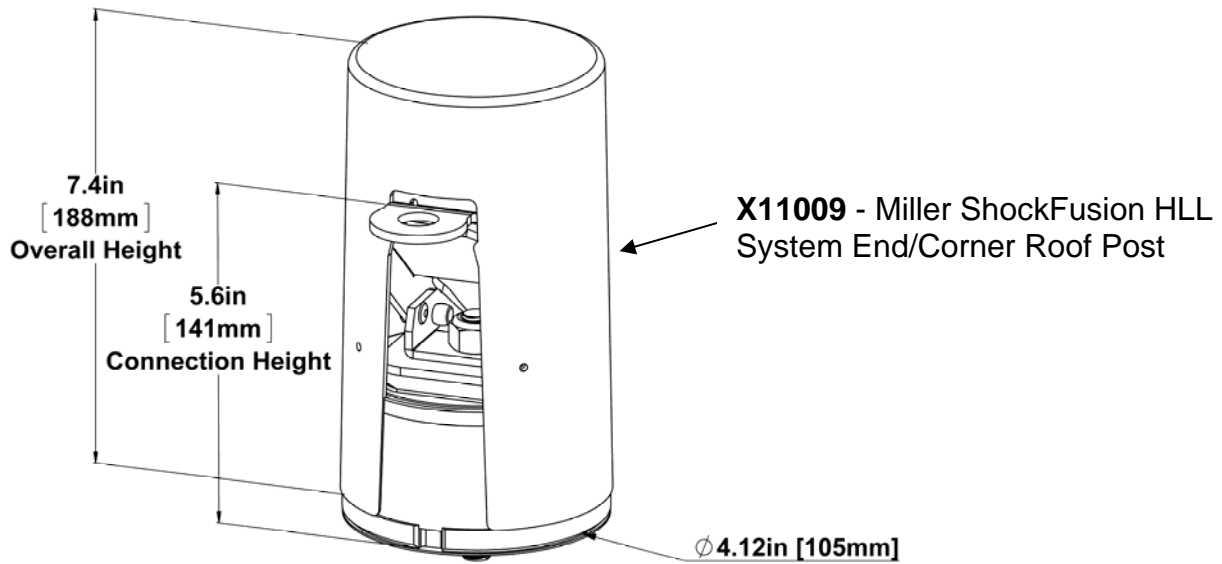
Miller Fusion™ Intermediate Roof Post and Miller ShockFusion™ HLL System End & Corner Roof Post

Models: X11008, X11009



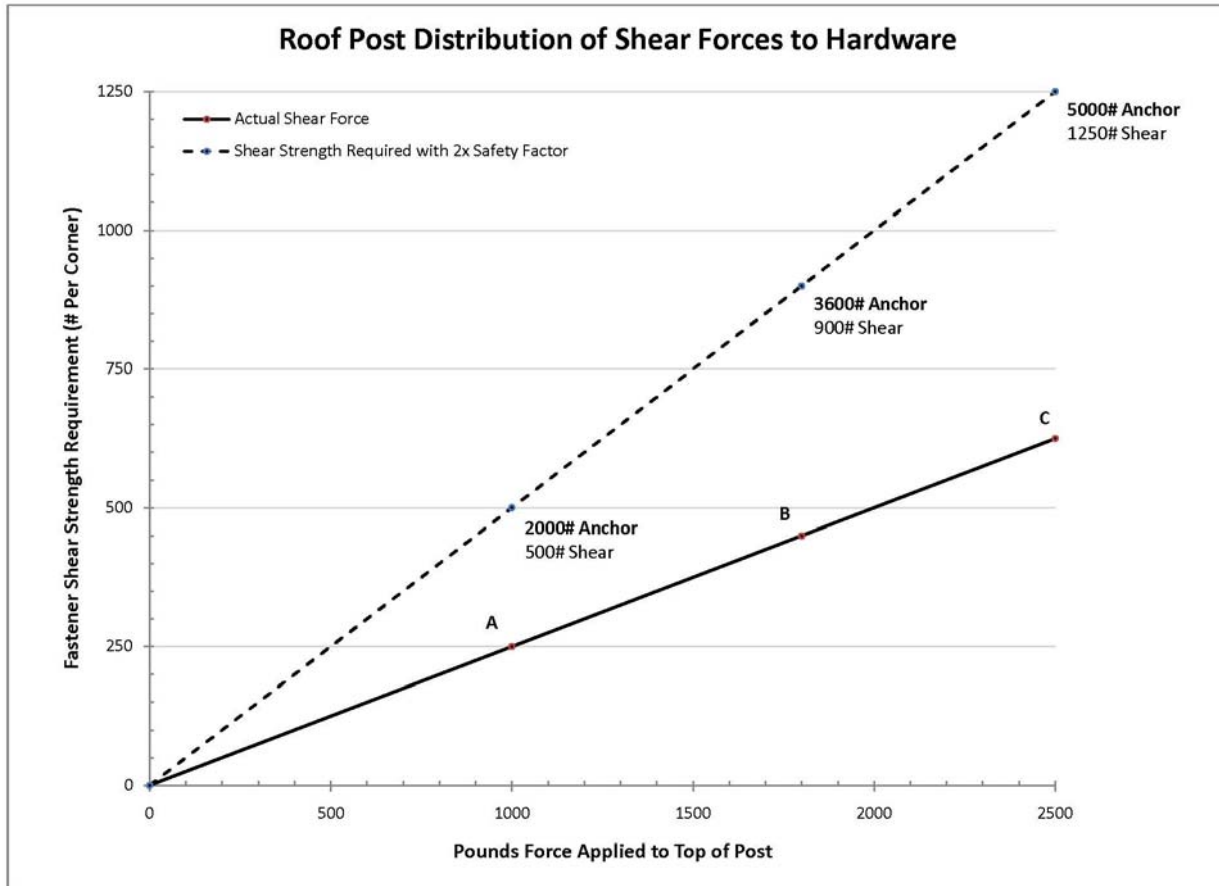
Miller Fusion™ Intermediate Roof Post and Miller ShockFusion™ HLL System End & Corner Roof Post

Models: X11008, X11009



Miller Fusion™ Intermediate Roof Post and Miller ShockFusion™ HLL System End & Corner Roof Post

Models: X11008, X11009



by Honeywell

WARNING! THIS DOCUMENT PROVIDES AN OVERVIEW OF FALL PROTECTION PRODUCTS AVAILABLE FROM HONEYWELL AND CARE HAS BEEN TAKEN TO ASSURE THE ACCURACY OF THE DATA. IT DOES NOT PROVIDE IMPORTANT PRODUCT WARNINGS AND INSTRUCTIONS. HONEYWELL RECOMMENDS ALL USERS OF FALL PROTECTION EQUIPMENT UNDERGO THOROUGH TRAINING, AND THAT ALL WARNINGS AND INSTRUCTIONS PROVIDED WITH THE PRODUCTS BE THOROUGHLY READ AND UNDERSTOOD PRIOR TO EACH USE. FAILURE TO READ AND FOLLOW ALL PRODUCT WARNINGS AND INSTRUCTIONS COULD RESULT IN SERIOUS INJURY OR DEATH.