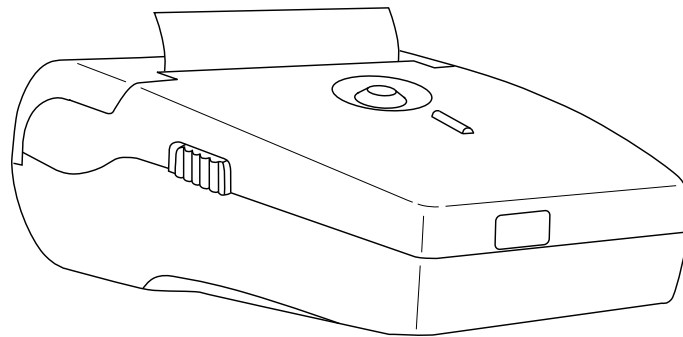




**Portable Wireless  
Infrared Printer**  
(w/ Disposable Batteries)  
Part No. 24-1400

**Instruction 24-9450  
Operation & Maintenance**

Rev. 3 – April 2010



## WARRANTY

Bacharach, Inc. warrants to Buyer that at the time of delivery this Product will be free from defects in material and manufacture and will conform substantially to Bacharach Inc.'s applicable specifications. Bacharach's liability and Buyer's remedy under this warranty are limited to the repair or replacement, at Bacharach's option, of this Product or parts thereof returned to Seller at the factory of manufacture and shown to Bacharach Inc.'s reasonable satisfaction to have been defective; provided that written notice of the defect shall have been given by Buyer to Bacharach Inc. within one (1) year after the date of delivery of this Product by Bacharach, Inc.

Bacharach, Inc. warrants to Buyer that it will convey good title to this Product. Bacharach's liability and Buyer's remedy under this warranty of title are limited to the removal of any title defects or, at the election of Bacharach, to the replacement of this Product or parts thereof that are defective in title.

THE FOREGOING WARRANTIES ARE EXCLUSIVE AND ARE GIVEN AND ACCEPTED IN LIEU OF (I) ANY AND ALL OTHER WARRANTIES, EXPRESS OR IMPLIED, INCLUDING WITHOUT LIMITATION THE IMPLIED WARRANTIES OF MERCHANTABILITY AND FITNESS FOR A PARTICULAR PURPOSE; AND (II) ANY OBLIGATION, LIABILITY, RIGHT, CLAIM OR REMEDY IN CONTRACT OR TORT, WHETHER OR NOT ARISING FROM BACHARACH'S NEGLIGENCE, ACTUAL OR IMPLIED. The remedies of the Buyer shall be limited to those provided herein to the exclusion of any and all other remedies including, without limitation incidental or consequential damages. No agreement varying or extending the foregoing warranties, remedies or this limitation will be binding upon Bacharach, Inc. unless in writing, signed by a duly authorized officer of Bacharach.

**Register Your Warranty by Visiting  
[www.mybacharach.com](http://www.mybacharach.com)**

**Notice:**

Product improvements and enhancements are continuous, therefore the specifications and information contained in this document may change without notice.

Bacharach, Inc. shall not be liable for errors contained herein or for incidental or consequential damages in connection with the furnishing, performance, or use of this material.

No part of this document may be photocopied, reproduced, or translated to another language without the prior written consent of Bacharach, Inc.

Copyright © 2004, Bacharach, Inc., all rights reserved.  
BACHARACH is a registered trademark of Bacharach, Inc. All other trademarks, trade names, service marks and logos referenced herein belong to their respective companies.

# Contents

Description .....	1
General.....	1
Features .....	1
Power Switch .....	2
Indicator LEDs .....	2
Pushbuttons.....	2
Sensors.....	2
Technical Characteristics .....	4
Operation .....	5
Precautions.....	5
Self Test.....	5
Set-Up Mode .....	6
Using the Printer .....	7
Maintenance.....	8
Battery Installation.....	8
Paper Installation .....	8
Cleaning the Printer.....	10
Cleaning the Print Head .....	10
Parts & Service .....	11
Replacement Parts .....	11
Service Centers .....	11

Notes:

# Description

## General

Bacharach's portable wireless printer uses infrared technology to communicate with other Bacharach instruments that are capable of transmitting data using either the Infrared Data Association (IrDA) standard, or HP protocol.

The printer is designed around a patented easy-loading paper mechanism, which consists of a main cavity into which a paper roll is dropped for loading. The thermal print head is at the front of the cavity and a rubber roller is attached to the lid of the mechanism. When the lid is closed, the paper is pinched between the rubber roller and the print head to give a close alignment and a consistent pressure.

## Features

- Wireless printing
- IrDA standard or HP protocol
- Small, quiet, and fast printing
- Direct line thermal printing
- Easy loading paper
- Easy maintenance and head cleaning
- User settable printer parameters using external pushbuttons
- Self-test function

## Power Switch

The Power switch, located on the left side of the printer, is used to turn the unit ON and OFF.

## Indicator LEDs

- Power LED (Green): Glows steady when the printer is turned ON.
- Error LED (Red): Flashes once per second when the printer is out of paper; the buffer is full; or when the print head temperature exceeds 140°F (60°C). This LED will also flash one time when the printer is placed into its set-up mode (refer to Section Set-Up Mode).

## Pushbuttons

- FEED:
  - Momentarily press this button to advance the paper. Press and hold down to feed paper continuously.
  - This button in conjunction with the ON/OFF switch is used to start the printer's self test function (refer to Section Self Test).
  - When the printer is in its set-up mode, this button is used to modify the selected printer parameter (refer to Section Set-Up Mode).
- SEL:
  - Used in conjunction with the ON/OFF switch to place the printer into its set-up mode (refer to Section Set-Up Mode).
  - With the printer in its set-up mode, use this button to select the desired printer parameter.

## Sensors

- Paper Out: When the paper roll runs out, the printer is disabled to prevent damage to the print head. This condition is indicated by the Error LED flashing red.
- Infrared Sensor: Located at the front of the printer, this sensor receives the infrared output of an external instrument.

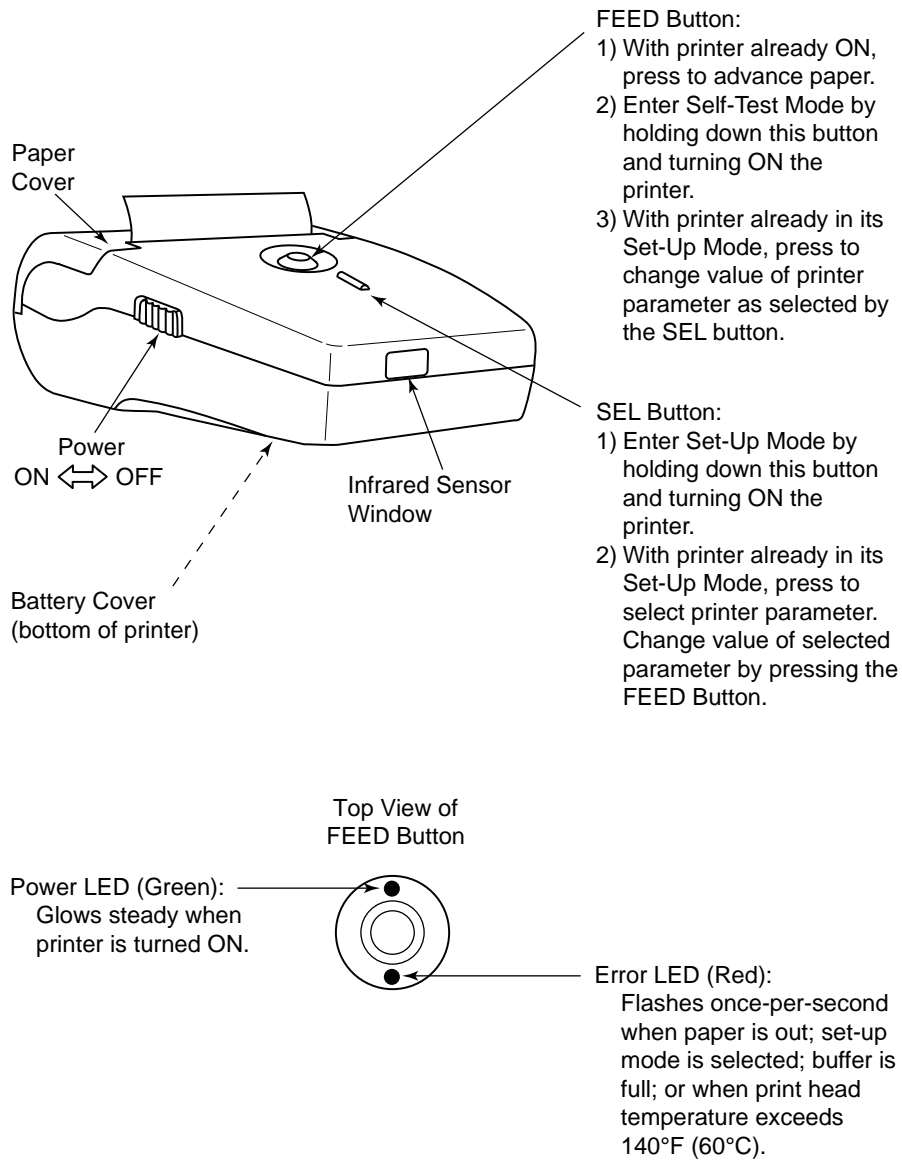


Figure 1. Component Locations and Functions

# Technical Characteristics

Printing Method .....	Direct thermal
Number of Columns .....	32 columns, 384 dots/line
Character Size .....	0.06 x 0.12 in. (1.5 x 3.0 mm)
Line Pitch .....	0.1 in (4.0 mm)
Paper Width .....	2.25 in. (57.5 mm)
Interface.....	Infrared
Protocol.....	HP-Ir, IrDA-Off, IrDA-Sir, BHT-Ir(DENSO), ELME-Ir, CHAMJIN-Ir, IrDA 1.0
International Characters.....	U.S.A., Turkish, Denmark2, Norway, Japan, Spain, Italy, Sweden, Denmark1, U.K., Germany, France
Buffer.....	7 kB
Baud Rate .....	2400 – 11,5200 bps
Power .....	4 'AA' Alkaline Batteries
Weight w/ batteries .....	0.8 lb (0.4 kg)
Dimensions.....	3.2W x 5.6L x 1.6H in. (81 x 142 x 41 mm)



# Operation

## Precautions

To ensure the proper operation of the printer and prevent the possibility of voiding the warranty, be sure to observe the following precautions:

- Avoid dirty or dusty locations or those with excessive heat or humidity
- Choose a stable level surface to place the printer
- Use only alkaline batteries
- Use only the supplied thermal paper or its replacement part

## Self Test

The self-test mode checks the printer's control circuit functions, setup parameters, software version, and print quality.

1. Before running the self test, make sure there is sufficient paper to run the test (18" [46 cm]); the paper cover is closed; and that the printer is switched OFF.
2. With the printer initially switched OFF, press and hold down the FEED pushbutton, and then switch ON the printer to begin the test.

**Note:** The test can be aborted by switching OFF the printer.

3. The following typical information is printed, followed by the printer's complete character set:

```
Version      : x.x.x
Column      : 32
Data bit     : 8 bit
Parity       : None
Baud rate   : 9600 bps
Handshaking : DTR
Country      : U.S.A.
Print mode   : Text (upright)
Paper        : Normal paper
Density      : 100%
IrDA         : IrDA-SIR
Buffer size  : 7000 Byte
Head volt    : 6.0V
Head temp    : 31°C
```

## Set-Up Mode

The printer has been set up at the factory with the following default parameters:

Column : 32 column  
 Baud rate : 9600 bps  
 Handshaking : DTR  
 Country : U.S.A.  
 Print mode : Text (upright)  
 Paper : Normal paper  
 Density : 100%  
 IrDA : IrDA-SIR

If necessary, the default parameters can be changed as follows:

1. With the printer initially switched OFF, press and hold down the SEL pushbutton, and then switch ON the printer.
2. The printer now goes into its set-up mode as indicated by the red LED flashing. At this time all of the printer's current parameter settings are printed, followed by the first parameter that can be modified.

**Note:** If no button is pressed within 15 seconds, the set-up mode is automatically terminated without changing the original parameters.

3. Column is first parameter printed. Pressing the FEED button causes the value of that parameter to change in the sequence shown in the following table.

SEL Button	FEED Button
Column	32, 36
Baud rate	115200, 57600, 38400, 19200, 9600, 4800, 2400, 1200, 600, 300
Handshaking	DTR, X-on/X-off
Country	U.S.A., Turkish, Denmark2, Norway, Japan, Spain, Italy, Sweden, Denmark1, U.K., Germany, France
Print mode	Text(upright), Data(inverted)
Paper	Normal paper, Reprint paper
Density	50 – 150% in 5% steps
IrDA	HP-Ir, IrDA-Off, IrDA-Sir, BHT-Ir(DENSO), ELME-Ir, CHAMJIN-Ir, IrDA 1.0

4. Press the SEL button to print the next parameter and then use the FEED button to change that parameter to the desired value.
5. Repeat Step 4 as necessary to change all desired parameters.
6. Once all parameters have been set, press and hold down the SEL button, and then press the FEED button to save the new settings; after which, the message "Data Keeping Setting mode END!!" should be printed.

## Using the Printer

See Figure 2. Turn ON the printer and observe that the Power LED should glow green.

Align the printer's infrared sensor to the infrared output of the external instrument. The printer should not be more than 18 inches (45 cm) away from the instrument, at an angle of no more than 30 degrees.

Begin printing as described in the instrument's instruction manual.

**Tip:** If the printer does not print or if random characters are printed, then check that the baud rate and communication protocol (IrDA-SIR or HP-Ir) settings of both the printer and instrument are set to the same values.

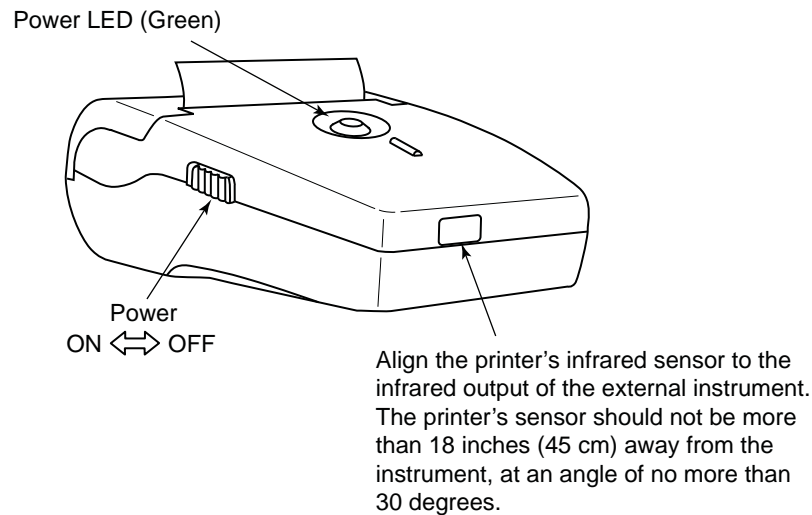


Figure 2 Using the Printer

# Maintenance

## Battery Installation

Install four 'AA' alkaline batteries as follows:

1. Turn OFF printer.
2. Unlatch and remove battery cover from bottom of printer.
3. Remove old batteries and dispose of them properly.
4. Insert four 'AA' alkaline batteries, observing the polarity marked inside the battery compartment.
5. Install battery cover.

## Paper Installation

When the printer runs out of paper as indicated by the front panel red LED flashing, install a new paper roll as follows:

1. Lift up paper cover latch and then open paper cover as shown in Figure 3.
2. Remove spent paper core.
3. Drop in a new paper roll so that it will rotate in the direction shown.
4. Close paper cover so that the paper is pinched between the paper roller and print head. Remove any slack by pulling out about ½ inch of paper from printer.

**Note:** If there was unprinted data in memory when the paper ran out and the printer was not shut OFF, then the printer will automatically print the remaining data 5 seconds after closing the paper cover.

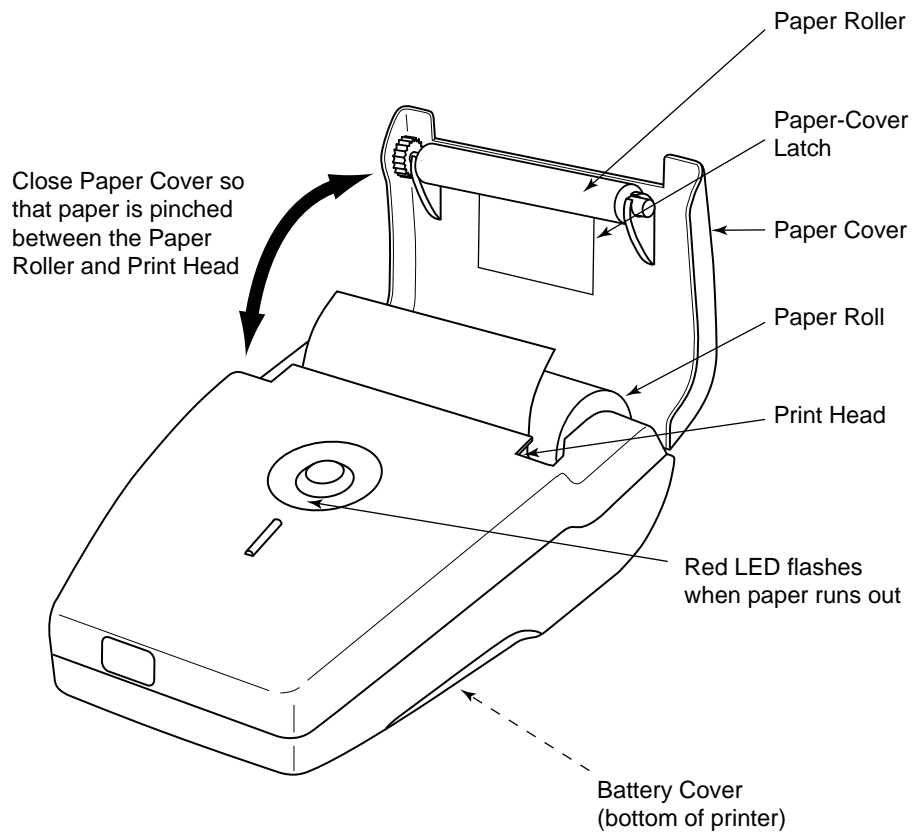


Figure 3. Maintenance

## Cleaning the Printer

External surfaces of the printer may be kept clean by simply wiping with a damp cloth. Do not use any solvents that may attack the plastic case. Be sure that the inside surfaces are kept dry at all times.

## Cleaning the Print Head

To maintain a good print quality, it is recommended that the print head be cleaned at least once a year or up to once a month if the printer is used heavily. The print head should be cleaned immediately, however, if the print becomes visibly fainter due to contamination of the print head.

### Material Required:

- Isopropyl Alcohol
- Cotton swabs

### Procedure:

1. Switch OFF printer.

**CAUTION:** Allow the print head to cool before cleaning; otherwise damage to the print head may occur.

2. Open paper cover and remove paper roll.
3. Using a cotton swab dampened with alcohol, wipe the heating dots of the print head. Be careful not to touch the heating dots with your fingers.
4. Allow the alcohol to dry.
5. Reload the paper and close the paper cover.

# Parts & Service

## Replacement Parts

	Part No.
Paper, thermal:	
1 roll .....	06-8733
5 roll pack.....	24-1310
Battery Cover .....	24-1405

## Service Centers

### **United States**

---

621 Hunt Valley Circle  
New Kensington, PA 15068  
Phone: 724-334-5051  
Fax: 724-334-5723  
Email: help@mybacharach.com

### **Canada**

---

Bacharach of Canada, Inc.  
20 Amber Street Unit #7  
Markham, Ontario L3R SP4 Canada  
Phone: 905-470-8985  
Fax: 905-470-8963  
Email: bachcan@idirect.com



Headquarters

621 Hunt Valley Circle, New Kensington, PA 15068  
Ph: 724-334-5000 • Fax: 724-334-5001 • Toll Free: 800-736-4666  
Website: [www.mybacharach.com](http://www.mybacharach.com) • E-mail: [help@mybacharach.com](mailto:help@mybacharach.com)

Printed in U.S.A.

