



500

The compact Krendl #500 **all-fiber** (airlock) machine has minimal electrical requirements. With the many options available, (i.e., shredder, double blower) the model #500 is a good choice for the **small professional contractor** who wants to use all fibers with all applications. (open blow or spray-on)

MATERIAL PRODUCTION RATE

lbs/hr (kg/hr) rating with 150ft. (45.8m.) of 3" (7.6cm.) hose at 10ft. (3.1m.) elevation (3-stage)

MATERIAL	MACHINE w/shredder & double *3-stage blowers lbs/hr (kg/hr)
FIBERGLASS	700 (317)
ROCKWOOL	1200 (544)
CELLULOSE	1700 (771)



Product density and variable blowing conditions will affect production rate.



FEATURES AND BENEFITS

WEIGHT

505 lbs. (229 kg.)

DIMENSIONS

27"W x 43 1/2"D x 46 1/2"H
(69cm. W x 111cm. D x 118cm. H)

HOPPER CAPACITY

8 cu. ft. (.22 m³)
13 cu. ft. (.36 m³) w/Extension

AIRLOCK

10" x 12" diameter (25.4cm. x 30.5cm. diameter)
3"(7.6cm.) outlet for blowing hose

POWER REQUIREMENT

single input, 30 amp/240volt/60hz, w/remote
double input, 20amp and 30amp/120volt/60hz,
w/remote (consult factory for hook-up)
(230volt/50hz w/remote, available for export)

BLOWERS/SIZES

12.5 amp/3-stage (120volt)

CE MARK CONFORMITY

See reverse side for more information.

Mechanical

- Modular component design for quick disassembly/reassembly for easy troubleshooting and maintenance
- Safety guards and hopper bars provide operator safety
- Flip-top hopper 8 cu. ft. (.22m³) for quick and easy access to airlock
- Dual (2) agitators that enhance the conditioning of fibers
- All steel airlock for enhanced spraying and metering capabilities
- Shredder assembly increases production and material conditioning and provides consistent material flow
- 1 hp. direct drive Totally Enclosed Fan Cooled motor/reducer (1000 in./lb. torque) for long life
- Extra heavy, nickel-plated #40 chain with hardened steel sprockets provides a corrosion/abrasion resistant drive system
- Check valve protection and filter design w/4" (10.2cm.) outside fresh air inlet provide increased blower efficiency and durability, less filter maintenance and better protection of blower
- Multiple blower capability and single material output for increased range and back-up blower capability
- Cord hanger and hand pendant holder allow for convenient storage of cords and hand pendant

Electrical

- Operator safety/Hazard response features: pre-alarm buzzer, main disconnect/power interruption shutdown, emergency kill switch, manual override at machine
- 150ft. (46m.) remote control cord with 3 position switch give increased operator control of feed and blower
- Overload protection on transformer and all motors providing complete protection of all electrical components
- Deluxe voltmeter is an indicator for low/high voltage protection of motors
- Multiple auxiliary convenience outlets for easy addition of accessory devices (i.e. wetting, wireless, pump systems)

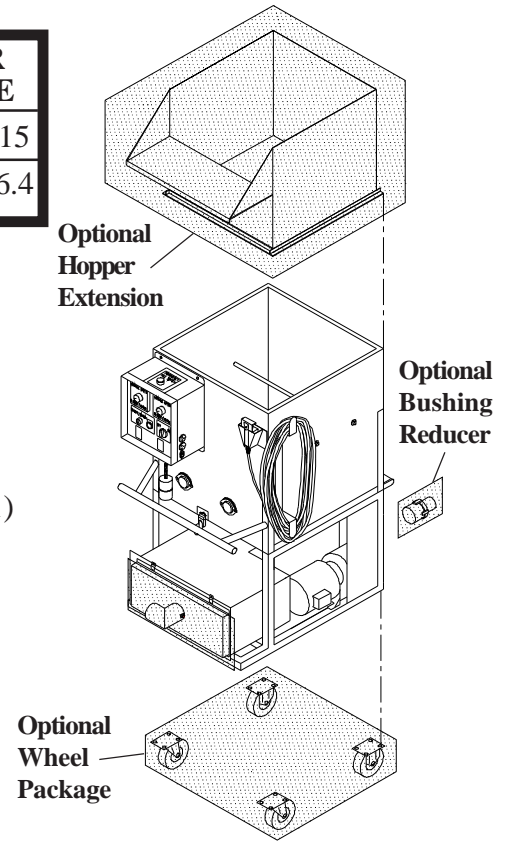
SPECIFICATIONS

BLOWER	AIRLOCK (P.S.I.)	BLOWER RATING (C.F.M.)	BLOWER AMPERAGE	AGITATOR AMPERAGE	
				U.S.	15
DOUBLE 3-STAGE	4	94 (x 2)	12.5 (x 2)	OVERSEAS	6.4

When figuring rates for 230volt/50hz, divide amperage ratings by half.

AVAILABLE: (See diagram at right)

- bushing reducer - 3" to 2 1/2" (6.3 cm.) (Part # 50098)
- 5" (12.7 cm.) standard duty wheel package (Part # W-5-STD)
- hopper extension - 22" x 22" x 20"H (56cm.W x 56cm.D x 51cm.H) (Part # CE-501)
- 230volt/50hz (for export) **CE** Mark Conformity
- wheel package - heavy duty - (Part # W-5-HD)



ALL-FIBER MACHINE - THEORY OF OPERATION (See diagram below left)

This unit is designed to accept all fiber materials into the hopper area of the machine, passing through a multi-step agitation system and dropping into the rotating airlock feeder. The airlock feeder has a crankgate control providing precision feeding of fiber for open blowing, sidewall blowing, and spray-on applications. Fiber is then rotated to bottom of airlock where air from the blower motor pushes fiber from the rotating chambers through the hose. Material and air is prevented from escaping into the machine while in the airlock by six rubber seals, which conform to the airlock inner wall as the chambers revolve. The blower motor is a high speed unit with low amperage designed to blow air. (Fiber **does not** pass through the blower fan chamber.) The high pressure and adjustable volume provides low amperage, low noise, and minimal attic dust. This reduces hose plugging problems and gives longer blower life.

Note: All-fiber/airlock machines provide slightly less coverage than thru-blower machines. Airlock machines cannot duplicate the high speed (13,000 r.p.m.) conditioning effect of fiber passing through the blower. Airlock machines blow the fiber closer to settled density, which eliminates the need for overblowing material to compensate for progressive settling.

