

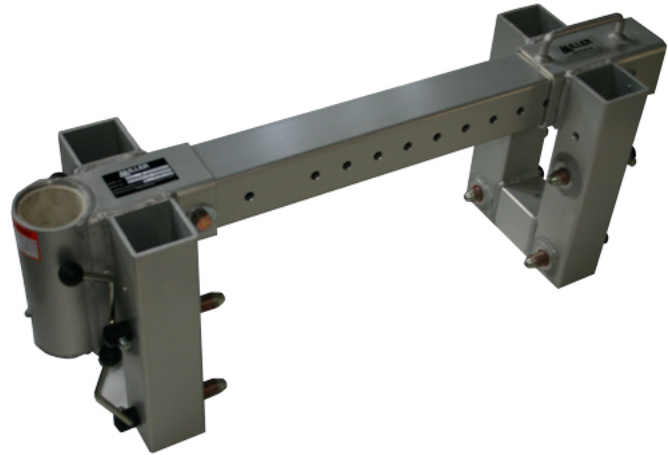
Adjustable Barrel Mounting Sleeve

Model: DH-6



Description

The Adjustable Barrel Mounting Sleeve is designed for shoring, wall and parapet applications where frequent setup over varying wall thicknesses is required. Standard unit accommodates wall thickness up to a maximum of 24". Anodized, welded aluminum with zinc plated steel hardware for lightweight durability. Comes with PVC sleeve liner.



Materials

General Construction:	Welded Aluminum
Weld Certification:	AWS
Base Material:	6061-T6 Aluminum
Sleeve Material:	C.R. Steel
Sleeve Bearing Material:	PVC Pipe ASTM-D-1785
Thrust Bearing Material:	High Density Polyethylene
Finish:	High Density Polyethylene
Plating Specification:	ASTM Designation B633-85, Type III, SC12

Technical

Rated Capacity:	450lbs (204kg) working load limit @ minimum 4:1 Design Factor
Mast Moment Proof Load	90,000 in-lbs (10,200 N.m)
Mast Rotation	360°
Weight	56lbs (25.4kg)

Note: Sleeves are designed to withstand the proof load rating of all standard Miller DuraHoist masts.

Mounting Requirements (Minimum)

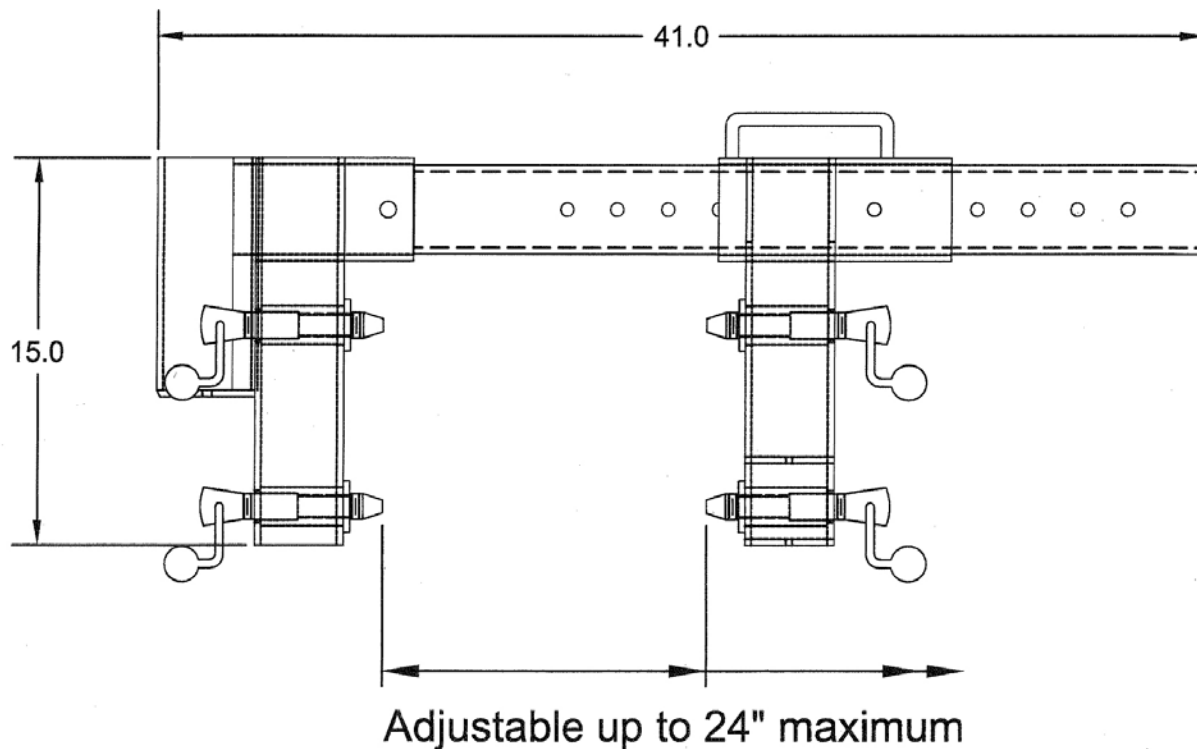
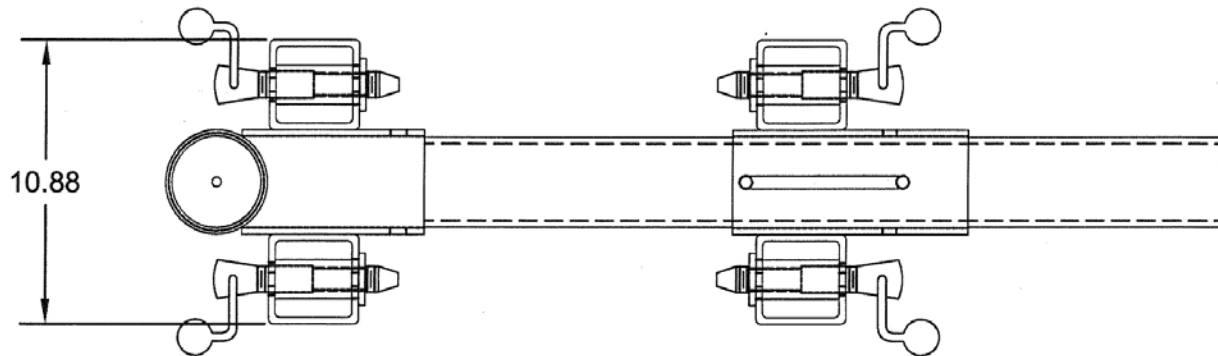
1. Steel Drums/Bulkheads Thickness ½" to 24" (13mm to 610mm)
2. Excessive wall taper can cause the retaining screws to slip. Each installation MUST be certified by the installing engineer. Wall in excess of 1 degree from vertical on either wall must be modified to meet this specification.
3. The structure in the area of the clamp MUST withstand a 90,000in-lbs (10,170Nm) moment without deformation. Each installation MUST be certified by the installing engineer.

Application Restrictions

1. Sleeves are for use with approved masts and accessories ONLY.
2. System design factor depends on other system components and the configurations in which they are assembled. The minimum design factor for all standard MILLER DuraHoist mast and accessories is 4:1.
3. If base material does not meet minimum requirements, reinforcement MUST be added to meet minimum requirements.
4. Each installation MUST be approved to local standards by a qualified engineer.

Adjustable Barrel Mounting Sleeve

Model: DH-6



Toll Free 800-873-5242 • Phone 814.432.2118 • Fax 814.437.2973 • www.millerfallprotection.com

WARNING! THIS DOCUMENT PROVIDES AN OVERVIEW OF FALL PROTECTION PRODUCTS AVAILABLE FROM MILLER FALL PROTECTION AND CARE HAS BEEN TAKEN TO ASSURE THE ACCURACY OF THE DATA. IT DOES NOT PROVIDE IMPORTANT PRODUCT WARNINGS AND INSTRUCTIONS. MILLER FALL PROTECTION RECOMMENDS ALL USERS OF FALL PROTECTION EQUIPMENT UNDERGO THOROUGH TRAINING, AND THAT ALL WARNINGS AND INSTRUCTIONS PROVIDED WITH THE PRODUCTS BE THOROUGHLY READ AND UNDERSTOOD PRIOR TO EACH USE. FAILURE TO READ AND FOLLOW ALL PRODUCT WARNINGS AND INSTRUCTIONS COULD RESULT IN SERIOUS INJURY OR DEATH.