

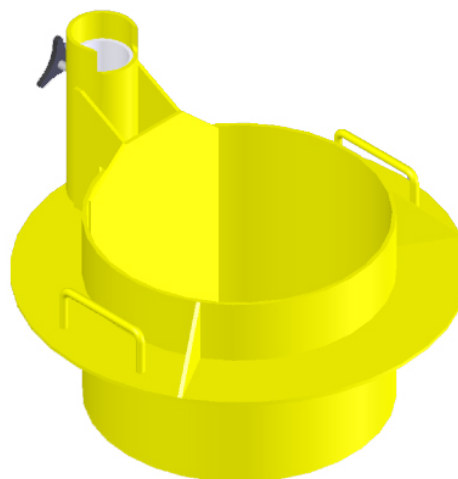
# Manhole Collar (18" – 30" Diameters)

## Model: DH-11 Series



### Description

The Manhole Collar is designed for applications involving frequent setups over similarly sized access openings. Simply slip collar into sewer manhole, tank hatch, or other openings. Lightweight, powder coated aluminum construction for portability.



### Materials

<b>General Construction:</b>	Welded Aluminum
<b>Weld Certification:</b>	AWS
<b>Base Material:</b>	6061-T6, 5052 Aluminum
<b>Sleeve:</b>	6061-T6 Aluminum
<b>Hardware:</b>	Gr. 5 Zinc Plated
<b>Finish:</b>	Safety Yellow Powder Coat

### Technical

<b>Mast Moment Rating</b>	65,000in-lbs (7350Nm)
<b>Proof Test</b>	AWS
<b>Mast Rotation</b>	90° From Center
<b>Weight</b>	26lbs (11.7kg) - 48lbs (21.7kg)

### Application Restrictions

1. Inside of manway being entered must not be more than 2 ½ " (60mm) larger than the outside diameter.
2. This collar is designed for use on horizontal, level surfaces. This collar must not be used to enter inclined manways.
3. Maximum mast offset with and manhole collar is to be 18" (457mm).
4. Manholes or manways must be stable and secure. Structures surrounding the opening must be capable of supporting a vertical load of at least 3600lbs (165kg).
5. Retractable or shock absorbers must have a maximum arresting force (M.A.R.) rating of 1800lbs (8kN) or less.
6. Each installation must be approved to local standards by a qualified engineer.

### Miller Portable Manhole Collar Models

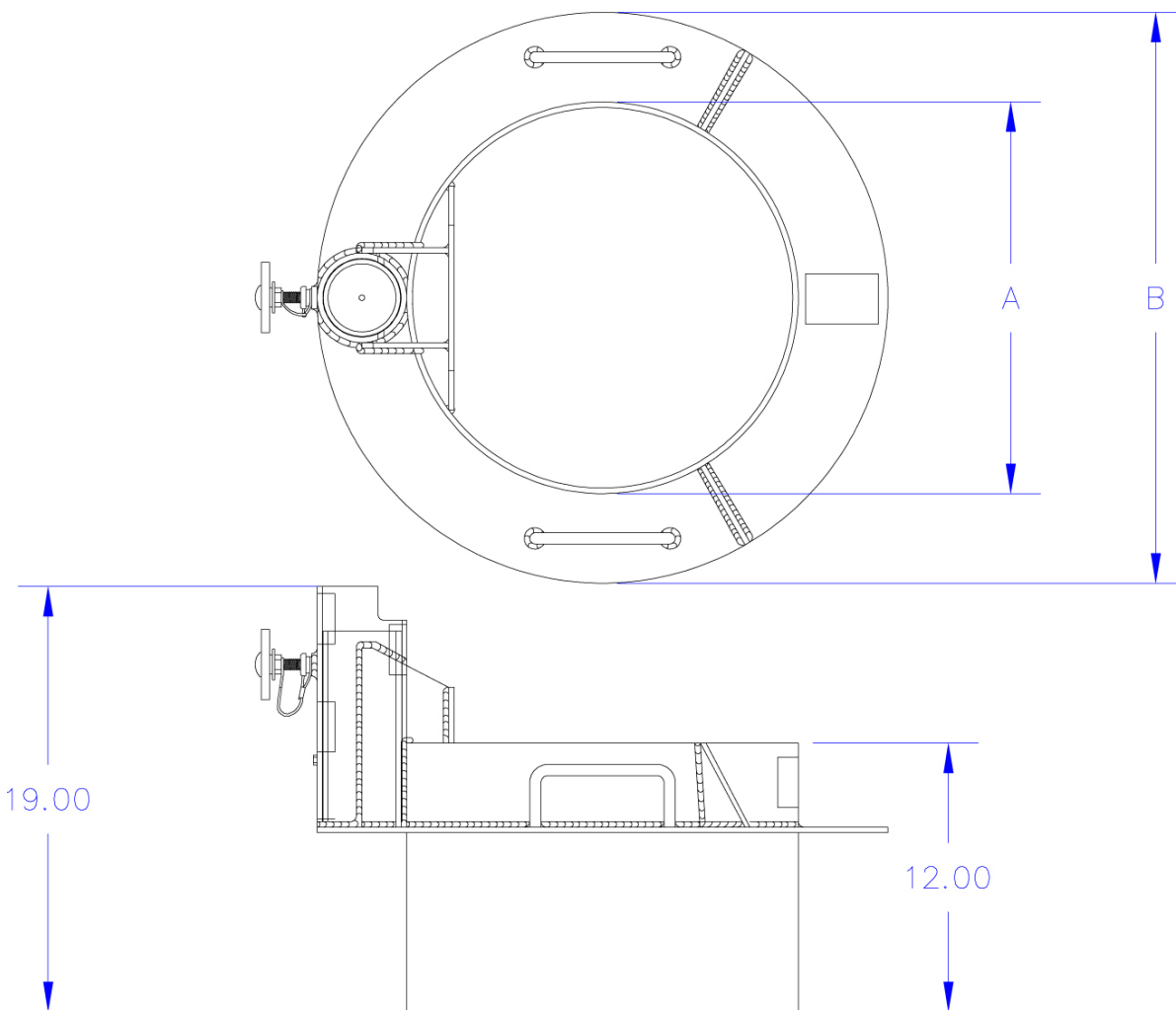
MODEL NUMBER	DESCRIPTION	WEIGHT
DH-11/17.5	17.5in. Manhole Collar for use with 18in. – 20in. diameter manways	26lbs (11.7kg)
DH-11/19.5	19.5in. Manhole Collar for use with 20in. – 22in. diameter manways	29.5lbs (13.3kg)
DH-11/21.5	21.5in. Manhole Collar for use with 22in. – 24in. diameter manways	33.5lbs (15.1kg)
DH-11/23.5	23.5in. Manhole Collar for use with 24in. – 26in. diameter manways	38lbs (17.2kg)
DH-11/25.5	25.5in. Manhole Collar for use with 26in. – 28in. diameter manways	43lbs (19.5kg)
DH-11/27.5	27.5in. Manhole Collar for use with 28in. – 30in. diameter manways	48lbs (21.7kg)

**Note:** Measurements are taken from inside of the manhole.

# Manhole Collar (18" – 30" Diameters)

Model: DH-11 Series

		DIM. A	DIM. B
DH-11/17.5	MP0086675-01	17.50	25.75
DH-11/19.5	MP0086675-02	19.50	27.75
DH-11/21.5	MP0086675-03	21.50	29.75
DH-11/23.5	MP0086675-04	23.50	31.75
DH-11/25.5	MP0086675-05	25.50	33.75
DH-11/27.5	MP0086675-06	27.50	35.75



Toll Free 800-873-5242 • Phone 814.432.2118 • Fax 814.437.2973 • [www.millerfallprotection.com](http://www.millerfallprotection.com)

**WARNING!** THIS DOCUMENT PROVIDES AN OVERVIEW OF FALL PROTECTION PRODUCTS AVAILABLE FROM MILLER FALL PROTECTION AND CARE HAS BEEN TAKEN TO ASSURE THE ACCURACY OF THE DATA. IT DOES NOT PROVIDE IMPORTANT PRODUCT WARNINGS AND INSTRUCTIONS. MILLER FALL PROTECTION RECOMMENDS ALL USERS OF FALL PROTECTION EQUIPMENT UNDERGO THOROUGH TRAINING, AND THAT ALL WARNINGS AND INSTRUCTIONS PROVIDED WITH THE PRODUCTS BE THOROUGHLY READ AND UNDERSTOOD PRIOR TO EACH USE. FAILURE TO READ AND FOLLOW ALL PRODUCT WARNINGS AND INSTRUCTIONS COULD RESULT IN SERIOUS INJURY OR DEATH.